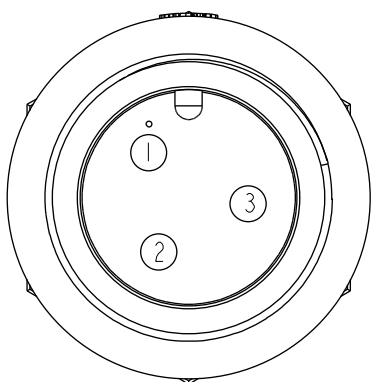
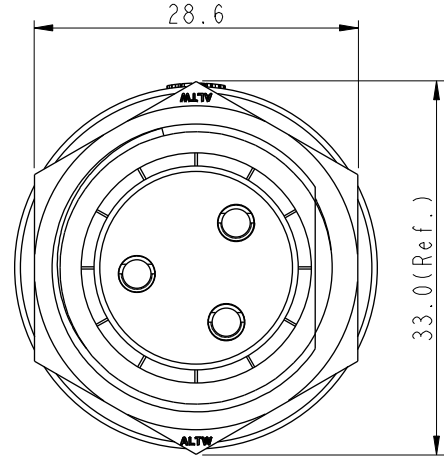
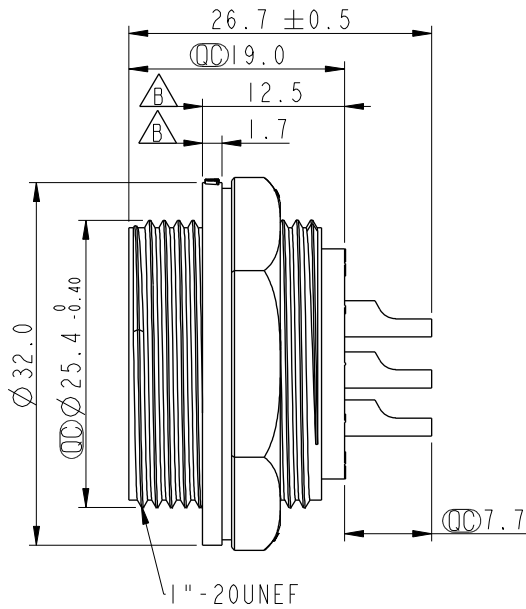
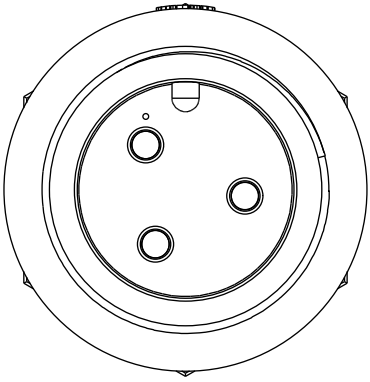
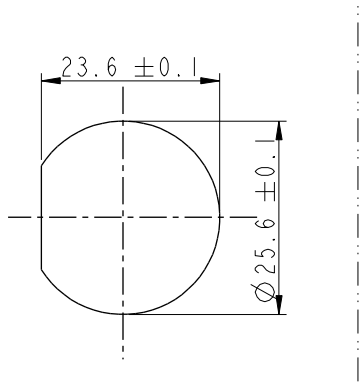


REV.	ECN NO.	DATE	SIGN	DESCRIPTION
A	Initial Release	2014-02-06	Jason.Yu	New Item
B	LEN1830050	2018-03-13	Lingpeng	Change The Design
C	CI90342	2019/03/26	Ruru	Modify Note & Add QC Dimension

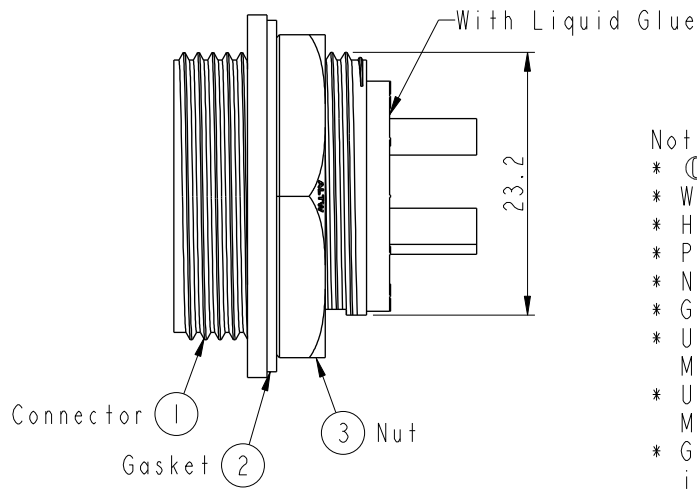
ALTW
CONFIDENTIAL
2019-03-26
R&D DEPT.



Pin Assignments
Front View



Recommended Panel
Cut-Out



- Note: \triangle
- * ⌀ Important Dimension
 - * Waterproof Rate: IP67, Unmated
 - * Housing: Thermoplastic, Black
 - * Pin: Copper Alloy, Gold Plated
 - * Nut: Thermoplastic, Black
 - * Gasket: Rubber, Gray
 - * Use with waterproof cap or dust cap
Maximum Panel Thickness: 1.3mm
 - * Use without waterproof cap or dust cap
Maximum Panel Thickness: 2.5mm
 - * Gasket and Nut are packed separately
in PE bags

UNIT:mm ⌀ ⌀
TOLERANCE \triangle $\pm 0.5\text{mm}$

TITLE LARGE CNC PIN PANEL SCREW 3P M CONN M PIN			
SCALE 3:2	SIZE A4	SHEET 1 OF 2	
REV. C	WC-REV. A.3	⌀ : Inspection item	

Amphenol LTW
安費諾亮泰企業股份有限公司

ITEM NO IDC-03RMMS-SC7001	DRAWN BY Ruru	DATE 2019-03-26
DWG NO IDC-03RMMS-SC7001	CHECKED BY Rita	DATE 2019-03-26
CUSTOMER ALTW	APPROVED BY Max	DATE 2019-03-26

THIS DOCUMENT IS SUBJECT TO CHANGE WITHOUT NOTICE. IT IS CONFIDENTIAL AND A PROPERTY OF AMPHENOL LTW. DISCLOSURE TO THIRD PARTY HAS TO BE AUTHORIZED BY AMPHENOL LTW.