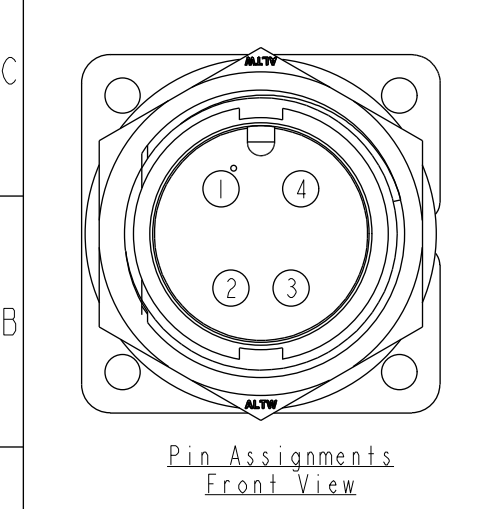
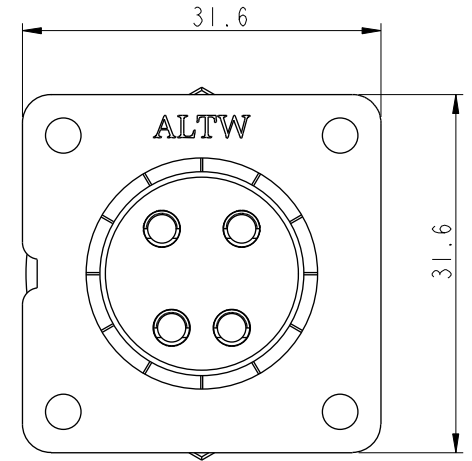
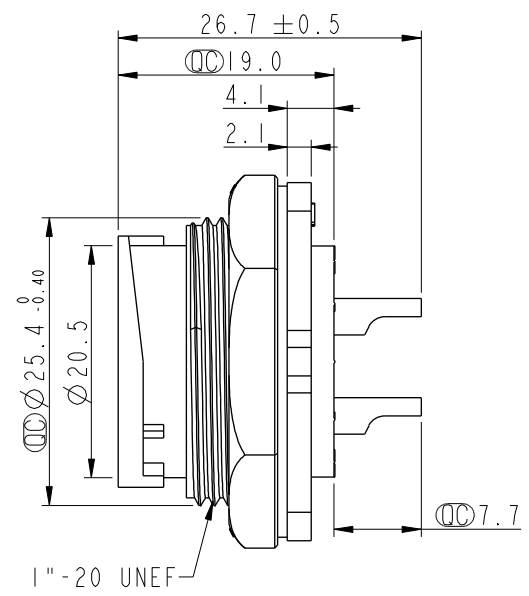
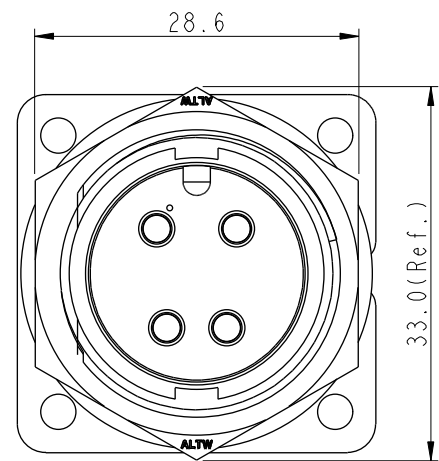
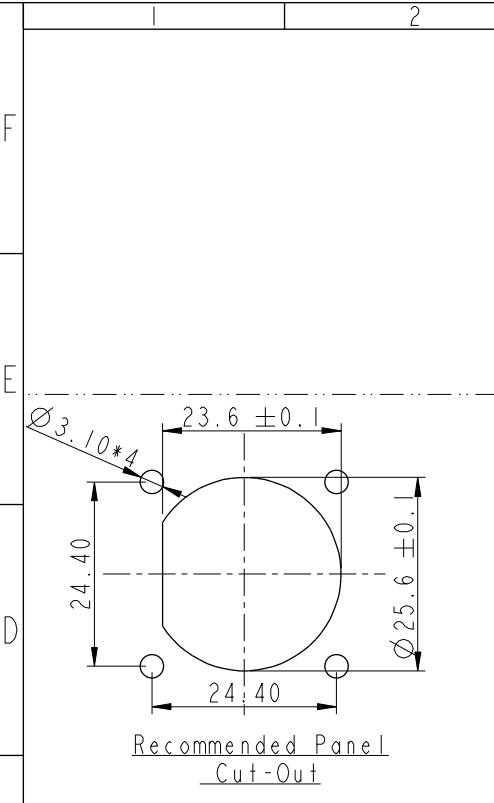
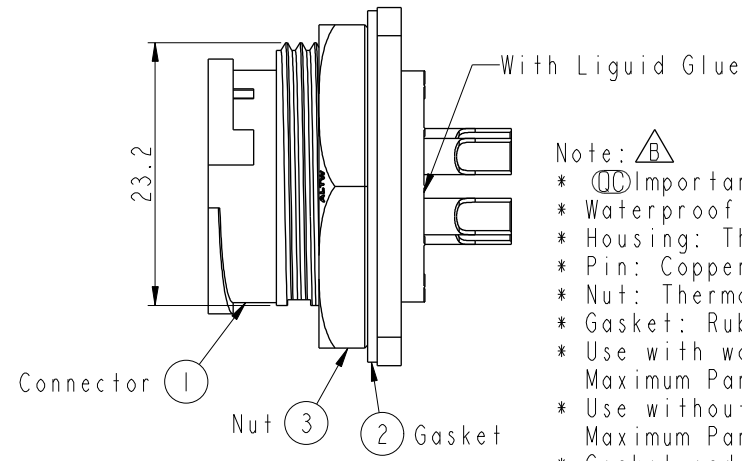


REV.	ECN NO.	DATE	SIGN	DESCRIPTION
A	Initial Release	2014-01-18	Jason.Yu	New Item
B	CI90342	2019/03/25	Ruru	Modify Note & Add QC Dimension



ALTW
 CONFIDENTIAL
 2019-03-25
 R&D DEPT.



- Note: $\triangle B$
- * CC Important Dimension
 - * Waterproof Rate: IP67, Unmated
 - * Housing: Thermoplastic, Black
 - * Pin: Copper Alloy, Gold Plated
 - * Nut: Thermoplastic, Black
 - * Gasket: Rubber, Gray
 - * Use with waterproof cap or dust cap
Maximum Panel Thickness: 2.3mm
 - * Use without waterproof cap or dust cap
Maximum Panel Thickness: 3.5mm
 - * Gasket and Nut are packed separately in PE bags

UNIT: mm		
TOLERANCE	.X ±0.25	
.XX ±0.1		
.XXX ±0.05		
ANGLES	±1°	

TITLE LARGE CNC PIN PANEL LOCK 4P M CONN M PIN			
SCALE 3:2	SIZE A4	SHEET 1 OF 1	
REV. B	WC-REV. A.3	QC: Inspection item	

Amphenol LTW
 安費諾亮泰企業股份有限公司

ITEM NO. IDC-04PMMS-LS7001	DRAWN BY Ruru	DATE 2019-03-25
DWG NO. IDC-04PMMS-LS7001	CHECKED BY Rita	DATE 2019-03-25
CUSTOMER ALTW	APPROVED BY Max	DATE 2019-03-25

THIS DOCUMENT IS SUBJECT TO CHANGE WITHOUT NOTICE. IT IS CONFIDENTIAL AND A PROPERTY OF Amphenol LTW. DISCLOSURE TO THIRD PARTY HAS TO BE AUTHORIZED BY Amphenol LTW.