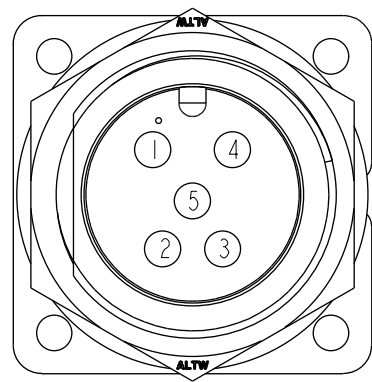
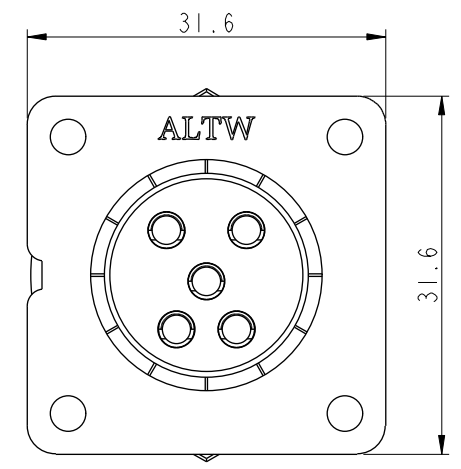
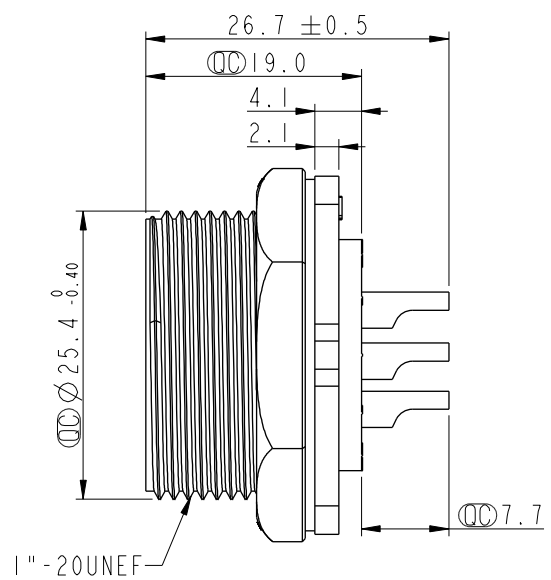
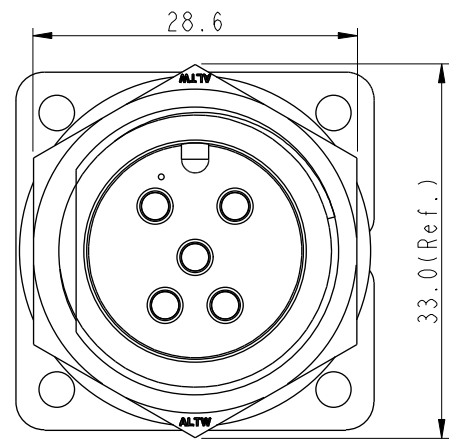


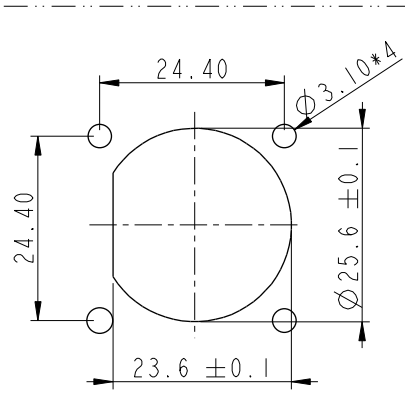
THIS DOCUMENT IS SUBJECT TO CHANGE WITHOUT NOTICE. IT IS CONFIDENTIAL AND A PROPERTY OF Amphenol LTW. DISCLOSURE TO THIRD PARTY HAS TO BE AUTHORIZED BY Amphenol LTW.

REV.	ECN NO.	DATE	SIGN	DESCRIPTION
A	Initial Release	2014-01-23	Jason.Yu	New Item
B	CI90342	2019/03/25	Ruru	Modify Note & Add QC Dimension

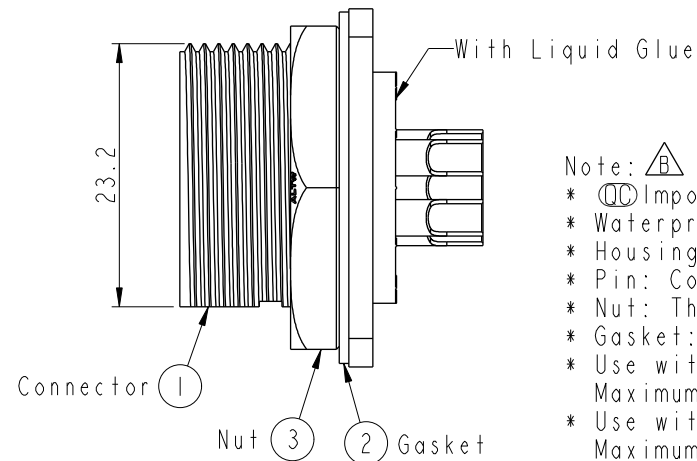
ALTW
 CONFIDENTIAL
 2019-03-25
 R&D DEPT.



Pin Assignments
Front View



Recommended Panel
Cut-Out

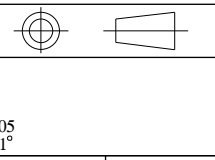


Note: $\triangle B$

- * ⌀ Important Dimension
- * Waterproof Rate: IP67, Unmated
- * Housing: Thermoplastic, Black
- * Pin: Copper Alloy, Gold Plated
- * Nut: Thermoplastic, Black
- * Gasket: Rubber, Gray
- * Use with waterproof cap or dust cap
Maximum Panel Thickness: 1.5mm
- * Use without waterproof cap or dust cap
Maximum Panel Thickness: 2.7mm
- * Gasket and Nut are packed separately in PE bags

UNIT:mm

TOLERANCE	
.X	±0.25
.XX	±0.1
.XXX	±0.05
ANGLES	±1°



TITLE LARGE CNC PIN PANEL SCREW 5P M CONN M PIN			
SCALE 3:2	SIZE A4	SHEET 1 OF 1	
REV. B	WC-REV. A.3	⌀ : Inspection item	

Amphenol LTW
 安費諾亮泰企業股份有限公司

ITEM NO. IDC-05PMMS-SS7001	DRAWN BY Ruru	DATE 2019-03-25
DWG NO. IDC-05PMMS-SS7001	CHECKED BY Rita	DATE 2019-03-25
CUSTOMER ALTW	APPROVED BY Max	DATE 2019-03-25