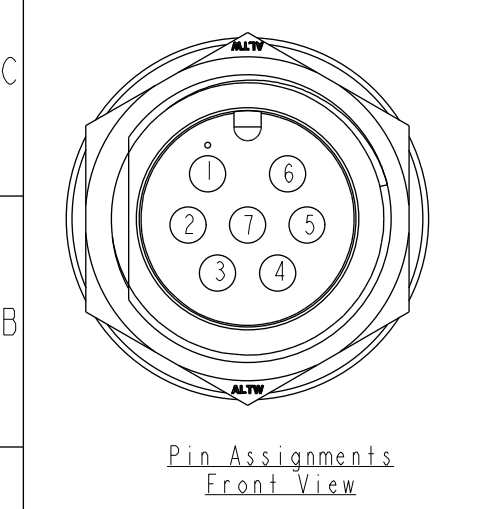
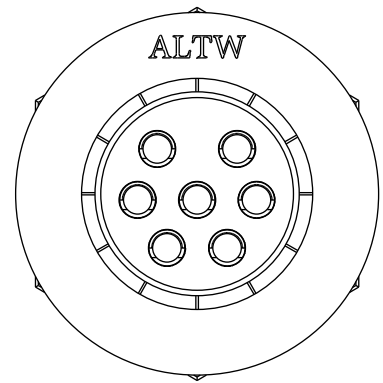
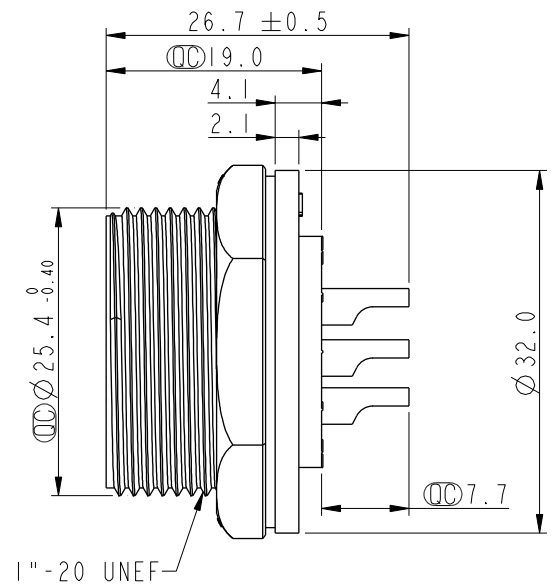
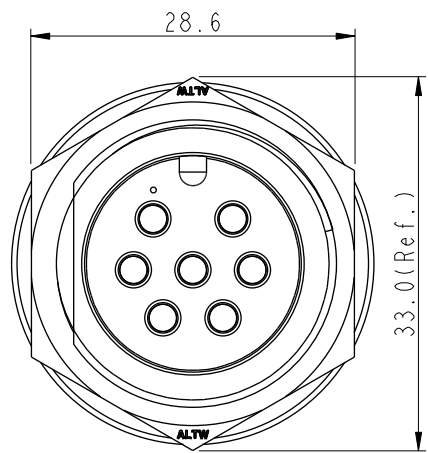
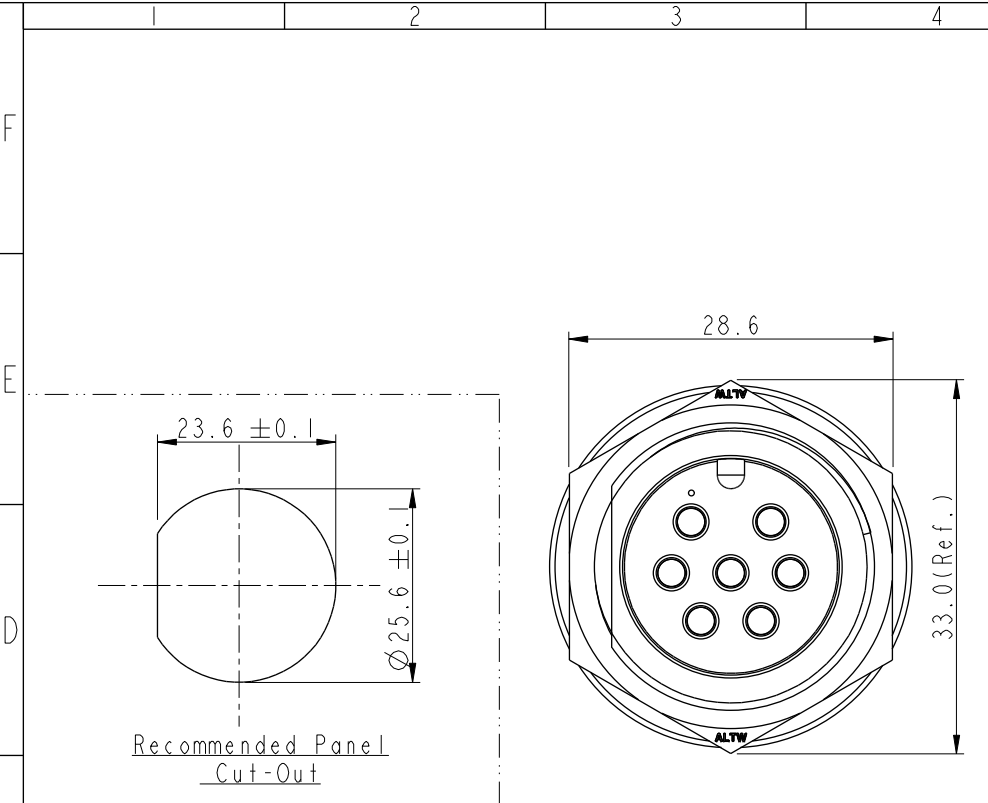
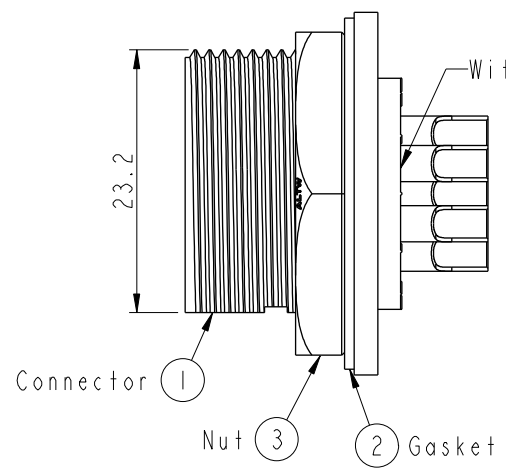


REV.	ECN NO.	DATE	SIGN	DESCRIPTION
A	Initial Release	2014-01-21	Jason.Yu	New Item
B	CI90342	2019/03/26	Ruru	Modify Note & Add QC Dimension



ALTW
CONFIDENTIAL
2019-03-26
R&D DEPT.



- Note: $\triangle B$
- * ⌀ Important Dimension
 - * Waterproof Rate: IP67, Unmated
 - * Housing: Thermoplastic, Black
 - * Pin: Copper Alloy, Gold Plated
 - * Nut: Thermoplastic, Black
 - * Gasket: Rubber, Gray
 - * Use with waterproof cap or dust cap
Maximum Panel Thickness: 1.5mm
 - * Use without waterproof cap or dust cap
Maximum Panel Thickness: 2.7mm
 - * Gasket and Nut are packed separately in PE bags

UNIT: mm		
TOLERANCE	.X ±0.25	
	.XX ±0.1	
	.XXX ±0.05	
ANGLES	±1°	

TITLE LARGE CNC PIN PANEL SCREW 7PIN M CONN M PIN			
SCALE 3:2	SIZE A4	SHEET 1 OF 1	
REV. B	WC-REV. A.3	⌀ : Inspection item	

Amphenol LTW
安費諾亮泰企業股份有限公司

ITEM NO. IDC-07PMMS-SC7001	DRAWN BY Ruru	DATE 2019-03-26
DWG NO. IDC-07PMMS-SC7001	CHECKED BY Rita	DATE 2019-03-26
CUSTOMER ALTW	APPROVED BY Max	DATE 2019-03-26

THIS DOCUMENT IS SUBJECT TO CHANGE WITHOUT NOTICE. IT IS CONFIDENTIAL AND A PROPERTY OF Amphenol LTW. DISCLOSURE TO THIRD PARTY HAS TO BE AUTHORIZED BY Amphenol LTW.