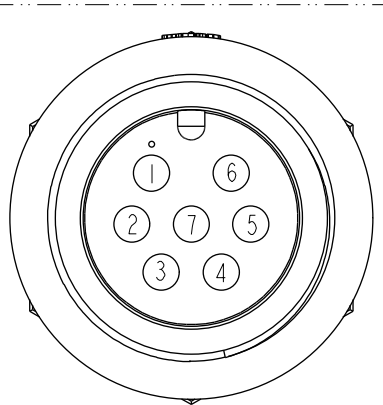
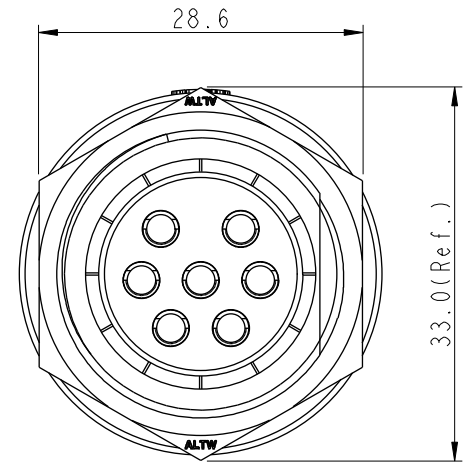
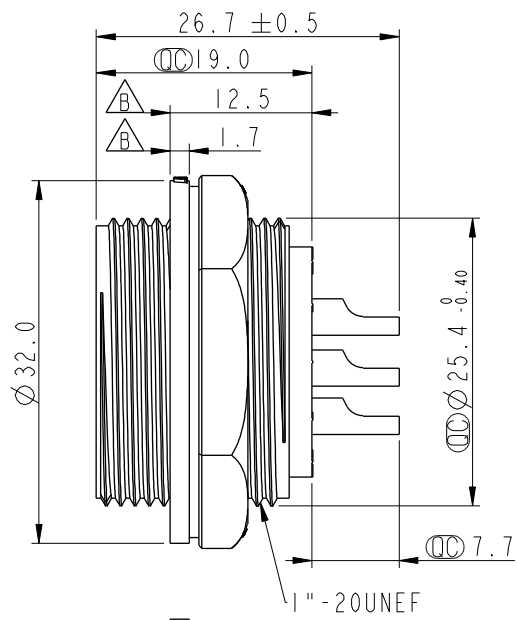
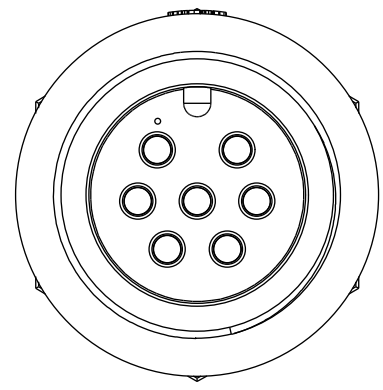


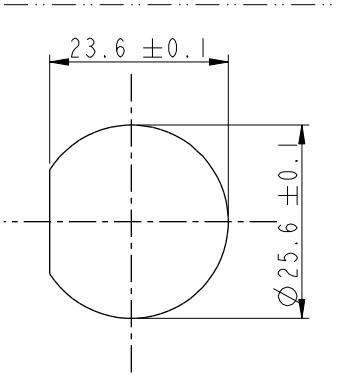
THIS DOCUMENT IS SUBJECT TO CHANGE WITHOUT NOTICE. IT IS CONFIDENTIAL AND A PROPERTY OF AMPHENOL LTW. DISCLOSURE TO THIRD PARTY HAS TO BE AUTHORIZED BY AMPHENOL LTW.

REV.	ECN NO.	DATE	SIGN	DESCRIPTION
A	Initial Release	2014/01/10	Jason.Yu	New Item
B	LEN1830054	2018-02-26	Lingpeng	Change The Design
C	CI90342	2019/03/26	Ruru	Modify Note & Add QC Dimension

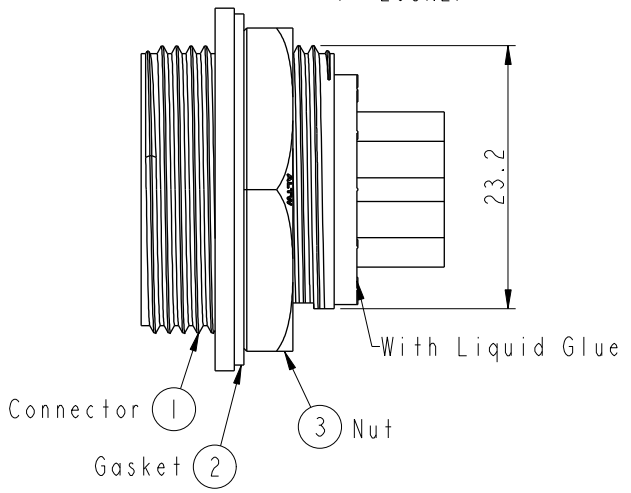
ALTW
 CONFIDENTIAL
 2019-03-26
 R&D DEPT.



Pin Assignments
Front View



Recommended Panel
Cut-Out



- Note:
- * Important Dimension
 - * Waterproof Rate: IP67, Unmated
 - * Housing: Thermoplastic, Black
 - * Pin: Copper Alloy, Gold Plated
 - * Nut: Thermoplastic, Black
 - * Gasket: Rubber, Gray
 - * Use with waterproof cap or dust cap
Maximum Panel Thickness: 1.3mm
 - * Use without waterproof cap or dust cap
Maximum Panel Thickness: 2.5mm
 - * Gasket and Nut are packed separately
in PE bags

UNIT:mm 	TITLE LARGE CNC PIN PANEL SCREW 7P M CONN M PIN			Amphenol LTW 安費諾亮泰企業股份有限公司	ITEM NO IDC-07RMMS-SC7001	DRAWN BY Ruru	DATE 2019-03-26
	TOLERANCE ± 0.5mm	SCALE 3:2	SIZE A4		SHEET 1 OF 1	DWG NO IDC-07RMMS-SC7001	CHECKED BY Rita
	REV. C	WC-REV. A.4	: Inspection item	CUSTOMER ALTW	APPROVED BY Max	DATE 2019-03-26	W10814-03-#01A2