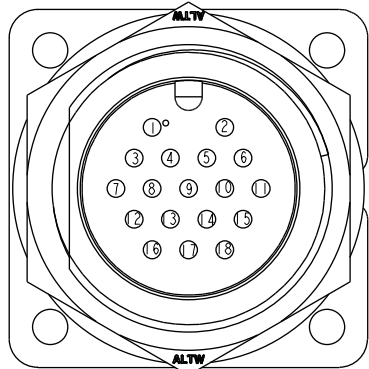
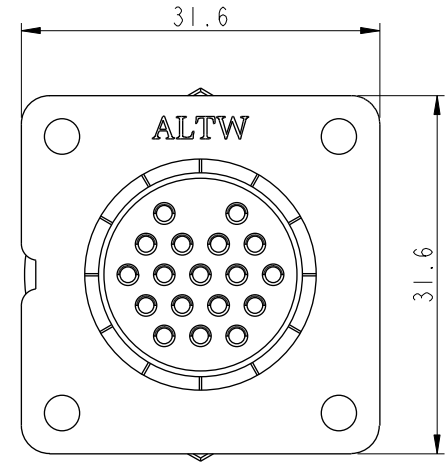
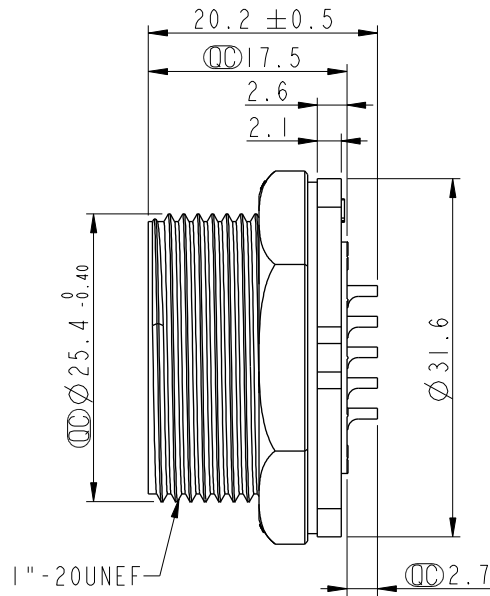
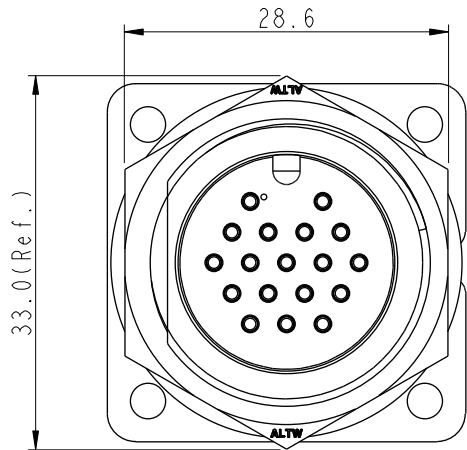
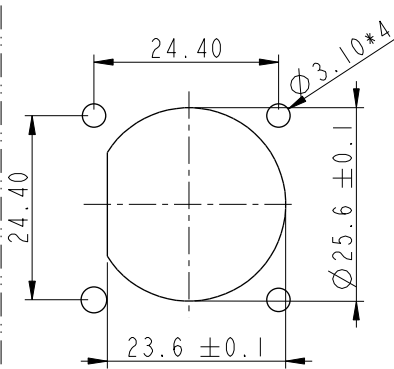


ALTW
CONFIDENTIAL
2019-03-26
R&D DEPT.

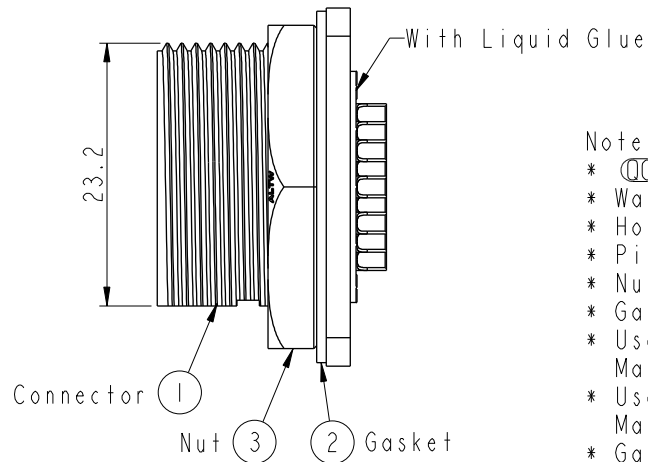
REV.	ECN NO.	DATE	SIGN	DESCRIPTION
A	Initial Release	2014-01-17	Jason.Yu	New Item
B	CI90342	2019/03/26	Ruru	Modify Note & Add QC Dimension



Pin Assignments
Front View



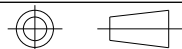
Recommended Panel
Cut-Out



Note: $\triangle B$

- * CC Important Dimension
- * Waterproof Rate: IP67, Unmated
- * Housing: Thermoplastic, Black
- * Pin: Copper Alloy, Gold Plated
- * Nut: Thermoplastic, Black
- * Gasket: Rubber, Gray
- * Use with waterproof cap or dust cap
Maximum Panel Thickness: 1.5mm
- * Use without waterproof cap or dust cap
Maximum Panel Thickness: 2.7mm
- * Gasket and Nut are packed separately in PE bags

UNIT: mm



TOLERANCE
.X ±0.25
.XX ±0.1
.XXX ±0.05
ANGLES ±1°

TITLE			
LARGE CNC PIN PANEL SCREW 18P M CONN M PIN			
SCALE	SIZE	SHEET	OF
3:2	A4	1	1
REV.	WC-REV.	CC : Inspection item	
B	A.3		

Amphenol LTW
安費諾亮泰企業股份有限公司

ITEM NO.	DRAWN BY	DATE
IDD-18PMMS-SS7001	Ruru	2019-03-26
DWG NO.	CHECKED BY	DATE
IDD-18PMMS-SS7001	Rita	2019-03-26
CUSTOMER	APPROVED BY	DATE
ALTW	Max	2019-03-26

THIS DOCUMENT IS SUBJECT TO CHANGE WITHOUT NOTICE. IT IS CONFIDENTIAL AND A PROPERTY OF Amphenol LTW. DISCLOSURE TO THIRD PARTY HAS TO BE AUTHORIZED BY Amphenol LTW.