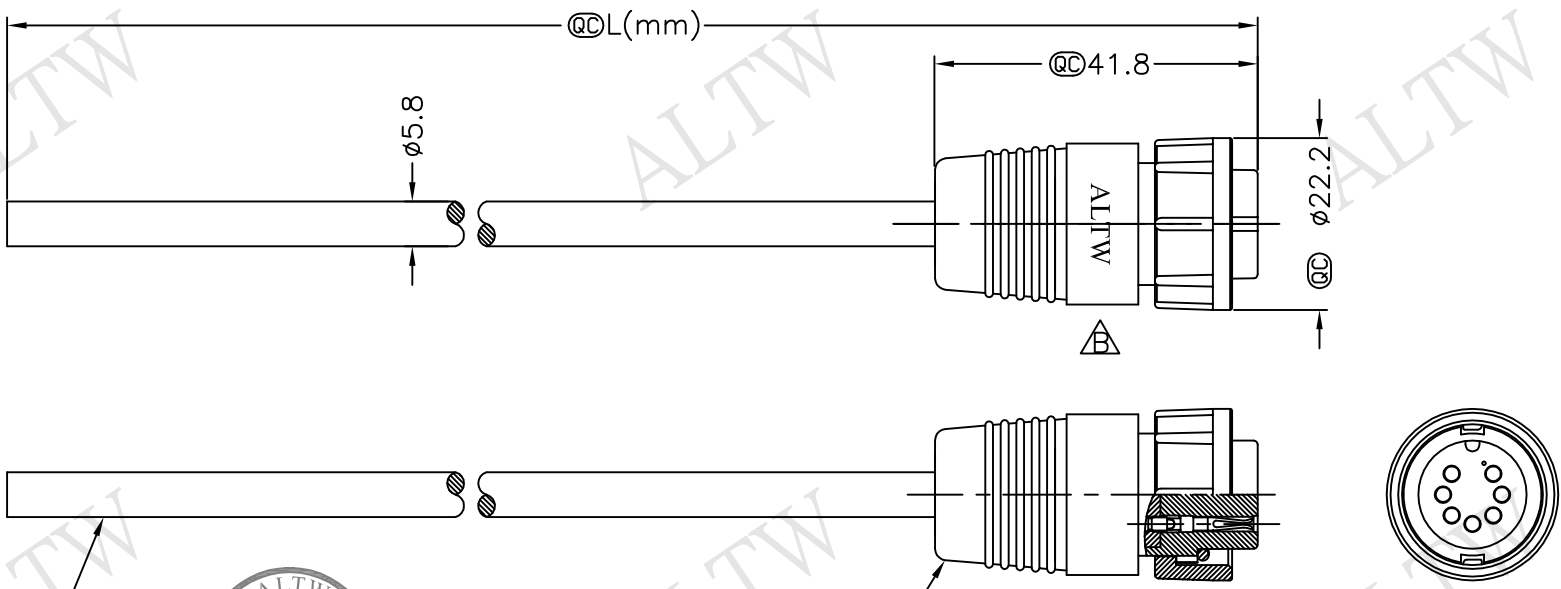


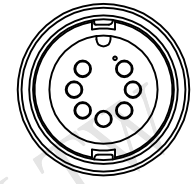
REV.	ECN NO.	DATE	SIGN	DESCRIPTION
B	LEN1650192~195	2016/05/05	Ruru	Change Logo & Note

THIS DOCUMENT IS SUBJECT TO CHANGE WITHOUT NOTICE. IT IS CONFIDENTIAL AND A PROPERTY OF Amphenol LTW. DISCLOSURE TO THIRD PARTY HAS TO BE AUTHORIZED BY Amphenol LTW.

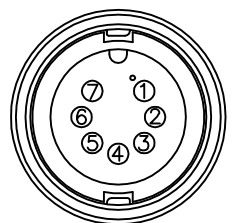


Cable ②

CD-07BFFM-LL6000 ①
Color: Black



Conn.



Pin Assignments
Front View

7	White
6	Green
5	Brown
4	Red
3	Yellow
2	Orange
1	Blue
Conn.	Wire Color
	Pin Out

CD-07BFFM-LL6AXX

↑
XX:01~99Meter
01:01Meter
02:02Meters
:
:
99:99Meters

Cable Length(L):01~99Meters

Note:

- * @C Important Dimension To Check.
- * Waterproof Rate: IP66
- * Housing: Nylon+GF,Black
- * Female Pin: Copper Alloy,Gold Plated
- * Cable: UL2464 24AWG*7C+Drain+Al/My, Black,PVC Jacket UV Resistant, OD=5.8
- △* Cable Length Tolerance: 01M: ±40mm
02M~05M: ±60mm
06M~10M: ±100mm
11M~30M: ±200mm
31M~99M: ±500mm

UNIT:mm	
TOLERANCE	
±0.5 mm	

TITLE Middle, Cable Lock 7Pin F Conn F Pin	
SCALE Free	SHEET 1 OF 1
REV. B	SIZE A4 @C :Inspection Item

Amphenol LTW
安費諾亮泰企業股份有限公司

ITEM NO	DWG NO CD-07BFFM-LL6AXX
CUSTOMER ALTW	

DRAWN BY Ruru	DATE 2016/05/05
CHECKED BY Rita	DATE 2016/05/05
APPROVED BY Lisa	DATE 2016/05/05