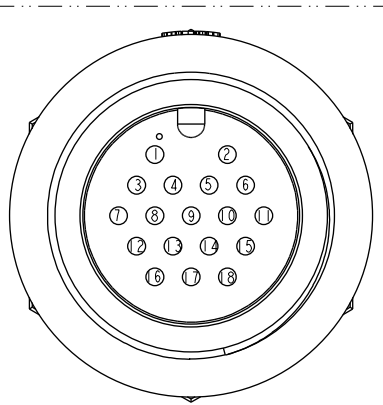
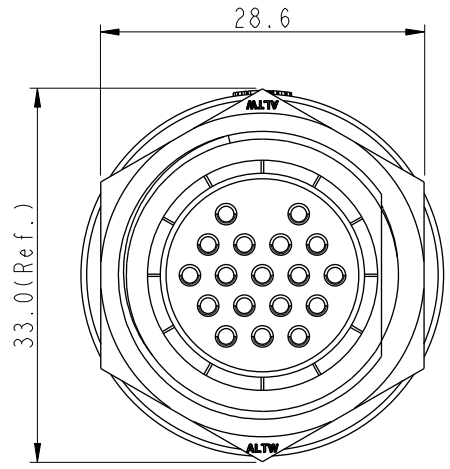
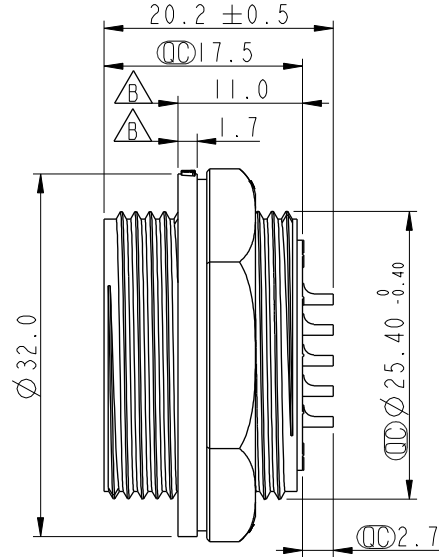
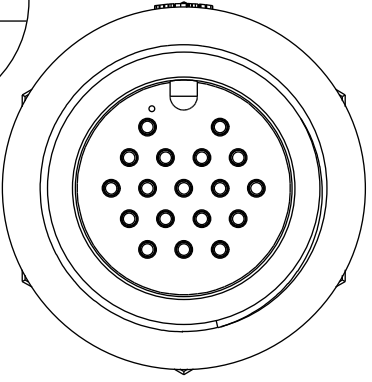


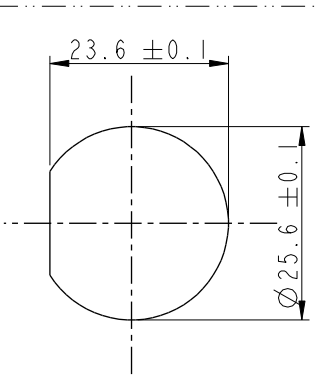
THIS DOCUMENT IS SUBJECT TO CHANGE WITHOUT NOTICE. IT IS CONFIDENTIAL AND A PROPERTY OF AMPHENOL LTW. DISCLOSURE TO THIRD PARTY HAS TO BE AUTHORIZED BY AMPHENOL LTW.

REV.	ECN NO.	DATE	SIGN	DESCRIPTION
A	Initial Release	2014-02-07	Jason.Yu	New Item
B	LEN1830047	2018-02-26	Lingpeng	Change The Design
C	CI90342	2019/03/26	Ruru	Modify Note & Add QC Dimension

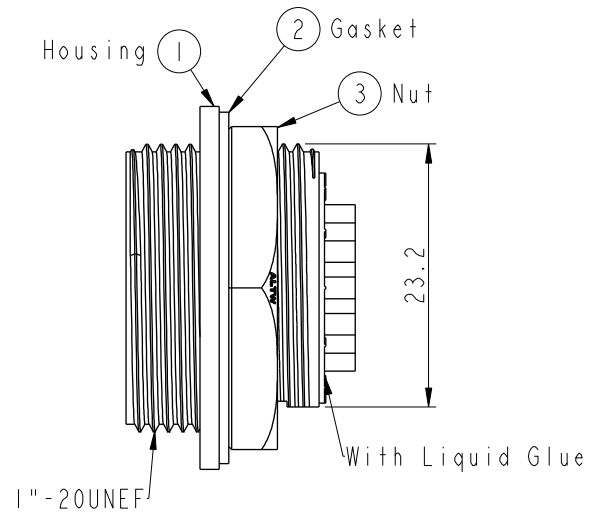
**ALTW**  
 CONFIDENTIAL  
 2019-03-26  
 R&D DEPT.



Pin Assignments  
Front View



Recommended Panel  
Cut-Out



Note:  $\triangle$

- \*  $\text{CC}$  Important Dimension
- \* Waterproof Rate: IP67, Unmated
- \* Housing: Thermoplastic, Black
- \* Pin: Copper Alloy, Gold Plated
- \* Nut: Thermoplastic, Black
- \* Gasket: Rubber, Gray
- \* Use with waterproof cap or dust cap  
Maximum Panel Thickness: 1.3mm
- \* Use without waterproof cap or dust cap  
Maximum Panel Thickness: 2.5mm
- \* Gasket and Nut are packed separately in PE bags

UNIT:mm		
TOLERANCE	$\triangle$ ±0.5mm	

TITLE LARGE CNC PIN PANEL SCREW 18P M CONN M PIN			
SCALE 3:2	SIZE A4	SHEET 1 OF 1	
REV. C	WC-REV. A.3	$\text{CC}$ : Inspection item	

**Amphenol LTW**  
 安費諾亮泰企業股份有限公司

ITEM NO IDD-18RMMS-SC7001	DRAWN BY Ruru	DATE 2019-03-26
DWG NO IDD-18RMMS-SC7001	CHECKED BY Rita	DATE 2019-03-26
CUSTOMER ALTW	APPROVED BY Max	DATE 2019-03-26