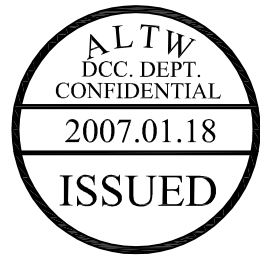
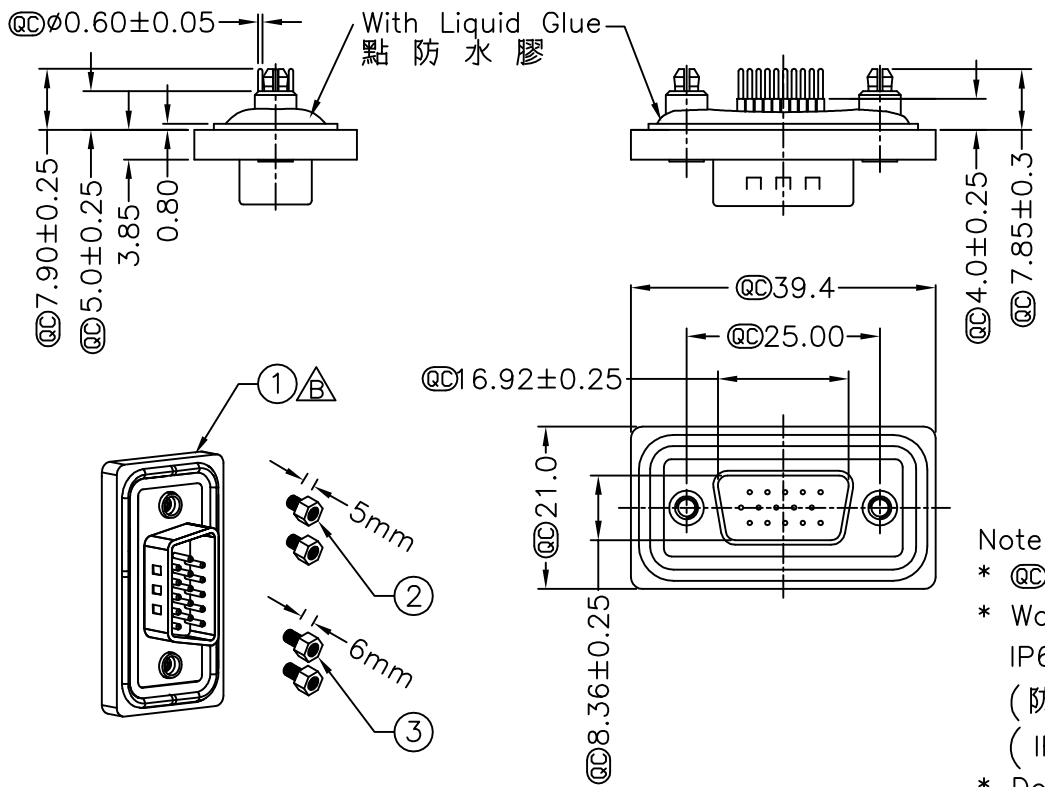


REV. A	ECN NO.	DATE 2006/03/01	SIGN DAVID	DESCRIPTION Released Rev.A
B	LE3-710073	2006/12/20	DongYaLi	Move O-Ring To ZSE00100777

THIS DOCUMENT IS SUBJECT TO CHANGE WITHOUT NOTICE. IT IS CONFIDENTIAL AND A PROPERTY OF AMPHENOL LTW. DISCLOSURE TO THIRD PARTY HAS TO BE AUTHORIZED BY AMPHENOL LTW.

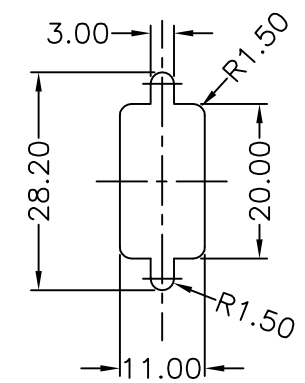


Panel Thickness  
面板厚度  
X(Max.)

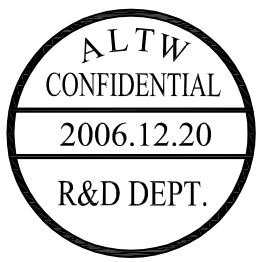
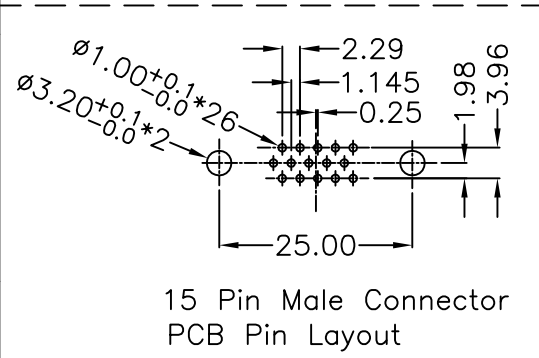
Screw L=5.0 For Panel Thickness Under 1.2mm  
適用板厚為 1.2mm 以下

Screw L=6.0 For Panel Thickness Between 1.2~2.0mm  
適用板厚為 1.2~2.0mm

- Note:
- \* @C Important Dimension.
  - \* Waterproof Rate: IP68  
IP68: 1M of depth of water 24 hours  
(防水等級 IP68)  
(IP68: 1米水深 24小時)
  - \* Do Mating Test After Glued  
點膠後, 須作對插測試
  - \* HD-SUB Conn.: Black Core, PBT
  - \* Plastic Jacket: Black, Nylon+GF
  - \* Pin: Copper Alloy, Gold Plated
  - \* Ring: Light Blue, Silicone
  - \* Screw: Copper Alloy, Nickel Plated, #4-40 UNC
  - \* The 180° Board Lock Needs To Connect The Iron Shell  
180°型支架需接鐵殼



Recommended Panel Cut-Out  
建議挖孔尺寸



UNIT:mm		TITLE HD-SUB Connector 15Pin Male For Panel,PCB 180° Board Lock
TOLERANCE .X ±0.25 .XX ±0.1 .XXX ±0.05 ANGLES ±1°	SCALE Free	SHEET 1 OF 1
REV. B	SIZE A4	@C : Inspection Item

**Amphenol LTW**  
安費諾亮泰企業股份有限公司

ITEM NO HDB-15PMMP-SA8001	DRAWN BY DongYaLi	DATE 2006/12/20
DWG NO HDB-15PMMP-SA8001	CHECKED BY Simon	DATE 2006/12/20
CUSTOMER ALTW	APPROVED BY Max	DATE 2006/12/20