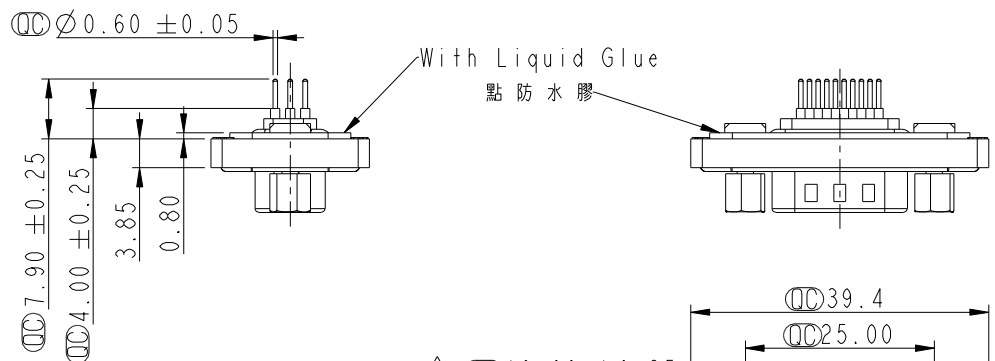
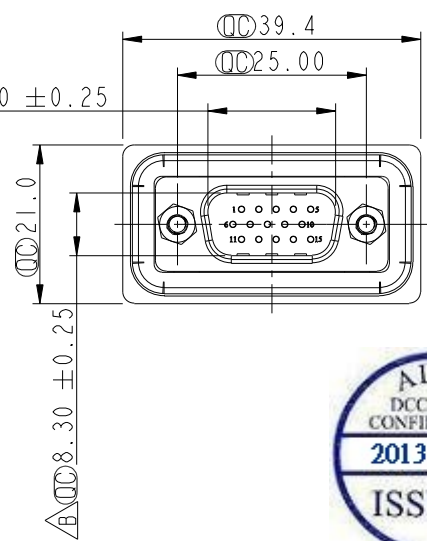


REV.	ECN NO.	DATE	SIGN	DESCRIPTION
B	LEN1390192	2013/09/02	Lu Di	Update Dimension



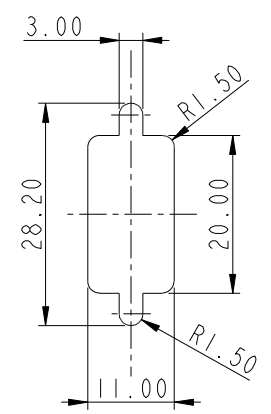
Screw L=5.0 For Panel Thickness Under 1.2mm
適用板厚為 1.2mm以下

Screw L=6.0 For Panel Thickness Between 1.2~2.0mm
適用板厚為 1.2~2.0mm

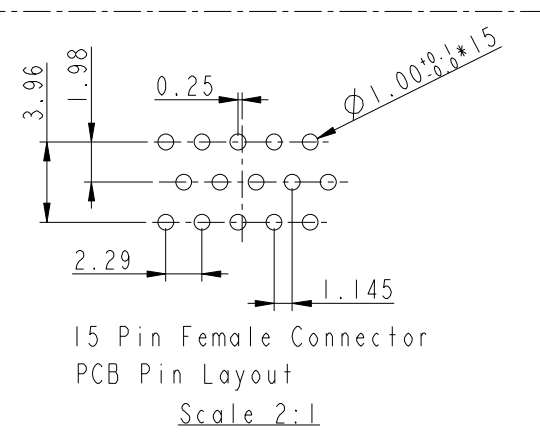
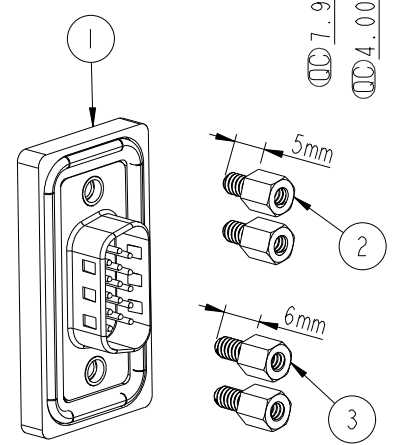


ALTW
CONFIDENTIAL
2013-09-02
R&D DEPT.

ALTW
DCC. DEPT.
CONFIDENTIAL
2013.09.11
ISSUED



Recommended Panel Cut-Out
建議挖孔尺寸



- Note:
- * \varnothing Important Dimension.
 - * Waterproof Rate : IP68
IP68: 1M of depth of water 24 hours
(防水等級 : IP68)
(IP68: 1米水深24小時)
 - * Do Mating Test After Glued
點膠後, 須作對插測試
 - * HD-SUB Conn. : Black Core, PBT
 - * Plastic Jacket : Black, Nylon+GF
 - * Pin : Copper Alloy, Gold Plated
 - * Ring : Light Blue, Silicone
 - * Screw : Copper Alloy, Nickel Plated, #4-40 UNC

UNIT: mm		TITLE D-SUB Conn. Panel Screw HD15P M Conn. M Pin			Amphenol LTW		ITEM NO HDB-15PMMP-SL8001	DRAWN BY Di_lu	DATE 2013/09/02
		TOLERANCE .X ±0.25 .XX ±0.1 .XXX ±0.05 ANGLES ±1°	SCALE 1:1	SIZE A4	SHEET 1 OF 1	安費諾亮泰企業股份有限公司	DWG NO HDB-15PMMP-SL8001	CHECKED BY Mafei	DATE 2013/09/02
		REV. B	WC-REV. A.3	QC: Inspection item		CUSTOMER ALTW	APPROVED BY Victor	DATE 2013/09/02	

THIS DOCUMENT IS SUBJECT TO CHANGE WITHOUT NOTICE. IT IS CONFIDENTIAL AND A PROPERTY OF Amphenol LTW. DISCLOSURE TO THIRD PARTY HAS TO BE AUTHORIZED BY Amphenol LTW.