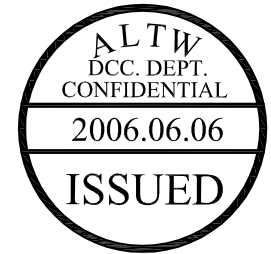
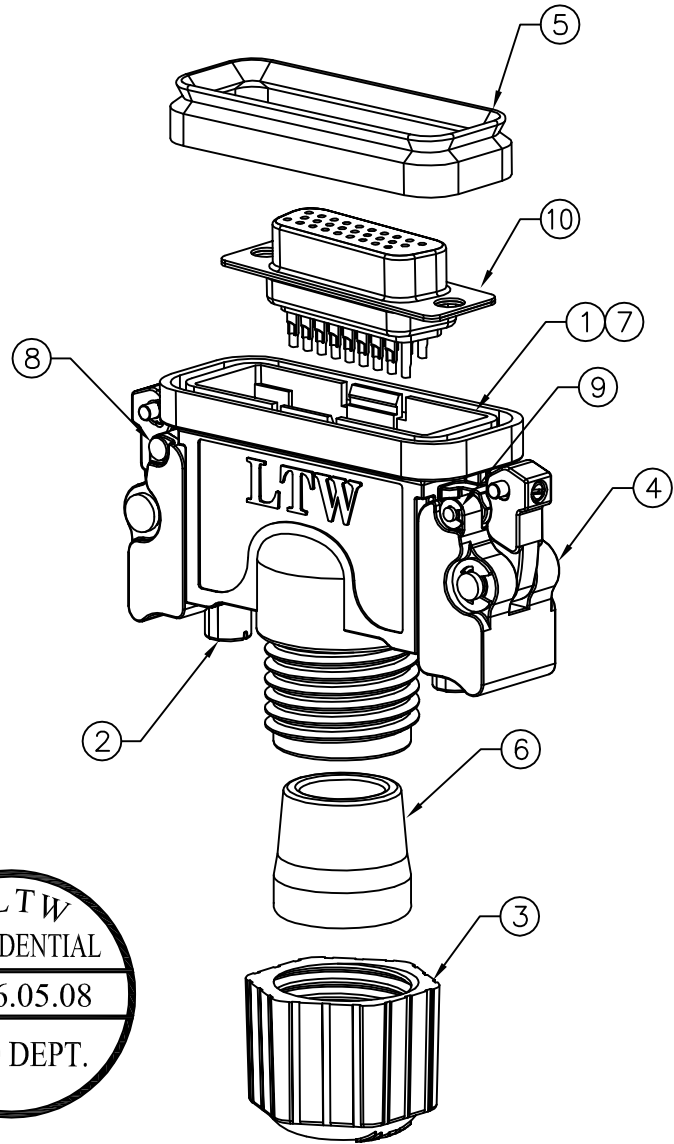
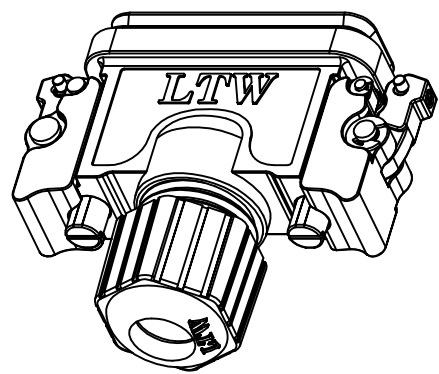
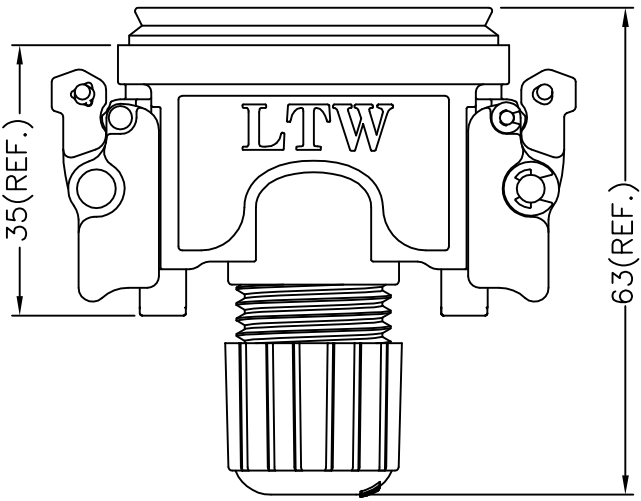
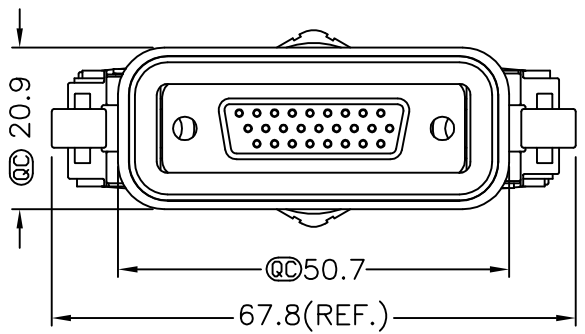


5	6	7	8
REV.	ECN NO.	DATE	SIGN
		DESCRIPTION	

THIS DOCUMENT IS SUBJECT TO CHANGE WITHOUT NOTICE. IT IS CONFIDENTIAL AND A PROPERTY OF AMPHENOL LTW. DISCLOSURE TO THIRD PARTY HAS TO BE AUTHORIZED BY AMPHENOL LTW.



Notes:

- \* @C Important Dimension.
- \* Waterproof Rate : IP67  
IP67:1M of depth of water 30 Min.
- \* Applicable Wire Range: 24AWG-28AWG
- \* Seals for Cable OD:φ6.0mm~φ8.0mm
- \* Core Color:Black
- \* Materials:  
Gasket : Silicone,Black  
Seal : Silicone,Black  
Insulator : PBT  
Contact : Copper Alloy  
Body : Zinc  
Screw : Stainless  
Aixs and Buckle : Stainless
- \* Finishes:  
Body : Nickel Plated  
Shell : Nickel Plated  
Contact : Gold Flash

UNIT:mm		TITLE D-SUB CONN
TOLERANCE		ASSY QUICK HD26P F CONN F PIN
.X	±0.25	SCALE Free
.XX	±0.1	SHEET 1 OF 1
.XXX	±0.05	REV. A
ANGLES	±1'	SIZE A4
		@C :Inspection Item

**Amphenol LTW**  
安費諾亮泰企業股份有限公司

ITEM NO HDB-26BFFA-QL7001	DRAWN BY Rolando R. Bagsit	DATE 2006/05/08
DWG NO HDB-26BFFA-QL7001	CHECKED BY Alan MJ Sundo	DATE 2006/05/11
CUSTOMER ALTW	APPROVED BY Simon Hung	DATE 2006/05/19