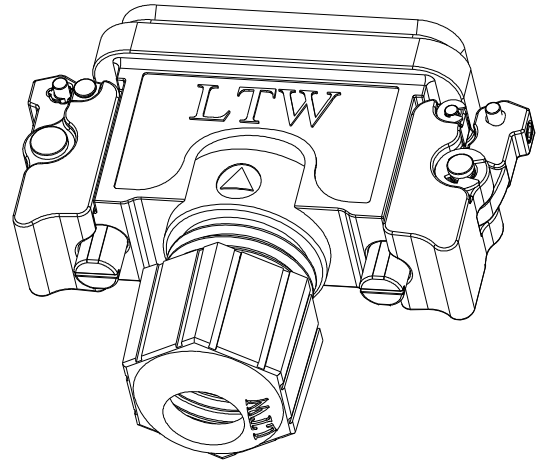
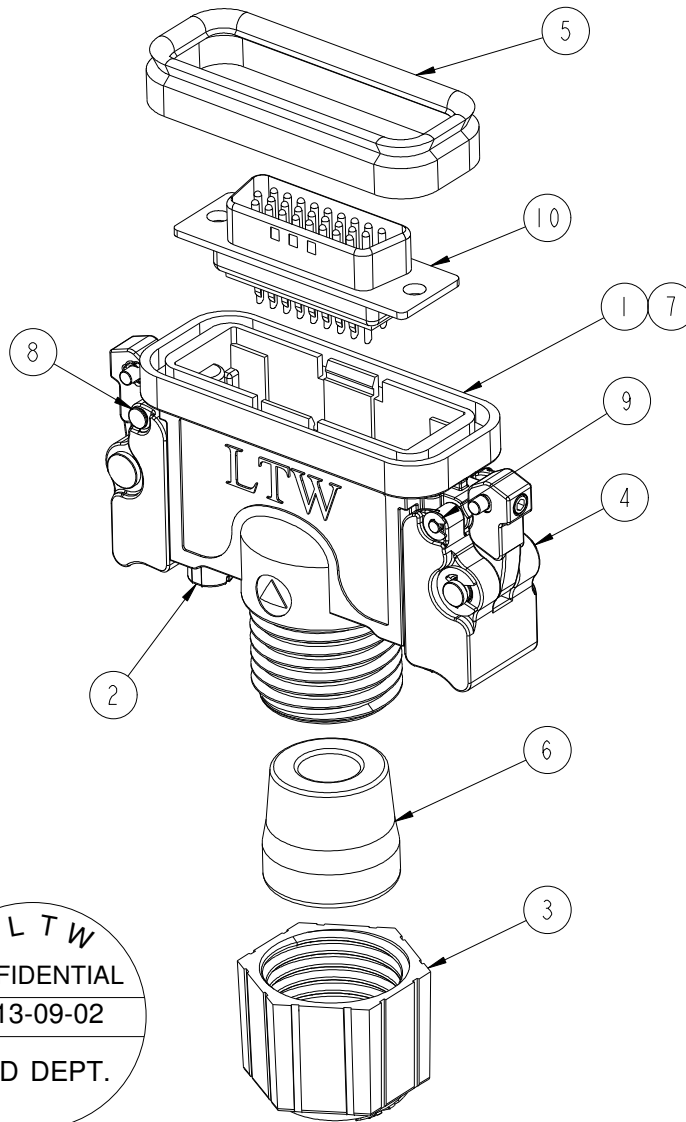
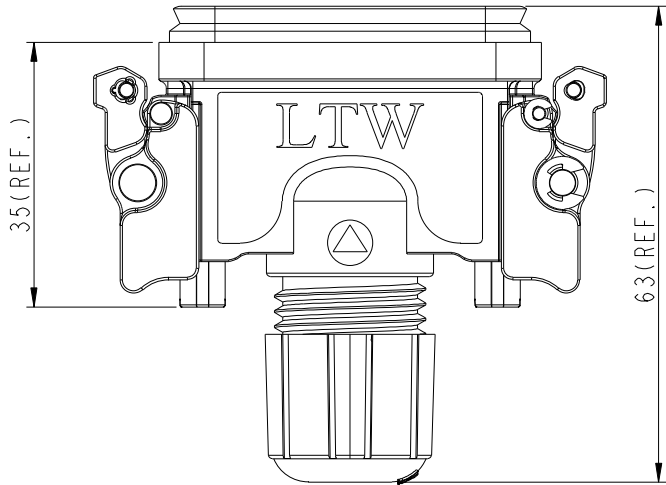
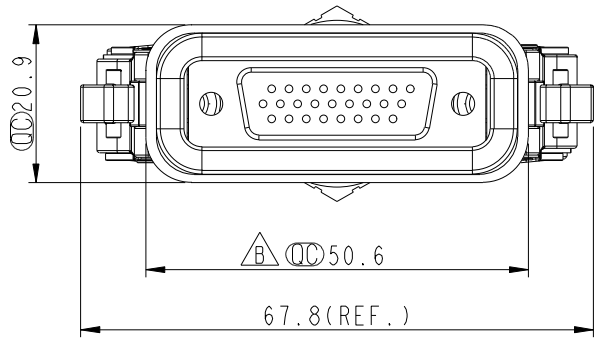
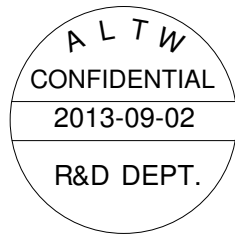


REV.	ECN NO.	DATE	SIGN	DESCRIPTION
A		2006/04/25	DAVID	Released Rev. A
B	LEN1390194	2013/09/02	Lu Di	Update Dimension

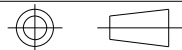


Notes:

- \*  $\varnothing$  Important Dimension.
- \* Waterproof Rate : IP67  
IP67: 1M of depth of water 30 Min.
- \* Applicable Wire Range: 24AWG-28AWG
- \* Seals for Cable OD:  $\varnothing$ 6.0mm~ $\varnothing$ 8.0mm
- \* Core Color: Black
- \* Materials:  
Gasket : Silicone, Black  
Seal : Silicone, Black  
Insulator : PBT  
Contact : Copper Alloy  
Body : Zinc  
Screw : Stainless  
Aixs and Buckle : Stainless
- \* Finishes:  
Body : Nickel Plated  
Shell : Nickel Plated  
Contact : Gold Flash



UNIT : mm



TOLERANCE  
.X ±0.25  
.XX ±0.1  
.XXX ±0.05  
ANGLES ±1°

TITLE D-SUB ASSY QUICK HD26P M CONN M PIN			
SCALE 1:1	SIZE A4	SHEET 1 OF 1	
REV. B	WC-REV. A.2	$\varnothing$ : Inspection item	

**Amphenol LTW**

安費諾亮泰企業股份有限公司

ITEM NO HDB-26BMM-QL7001	DRAWN BY Di_lu	DATE 2013/09/02
DWG NO HDB-26BMM-QL7001	CHECKED BY Mafei	DATE 2013/09/02
CUSTOMER ALTW	APPROVED BY Victor	DATE 2013/09/02

THIS DOCUMENT IS SUBJECT TO CHANGE WITHOUT NOTICE. IT IS CONFIDENTIAL AND A PROPERTY OF AMPHENOL LTW. DISCLOSURE TO THIRD PARTY HAS TO BE AUTHORIZED BY AMPHENOL LTW.