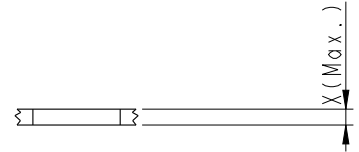
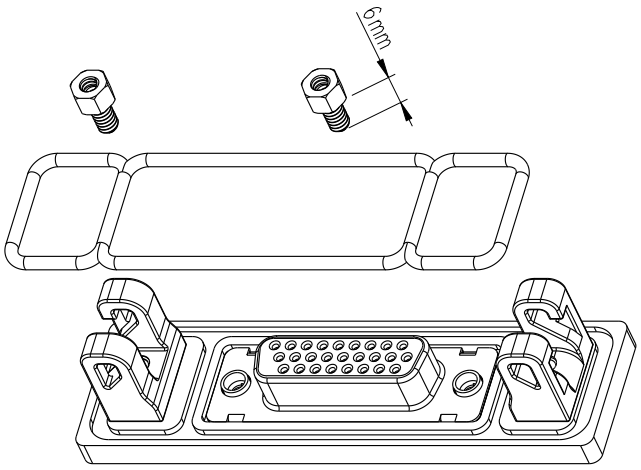
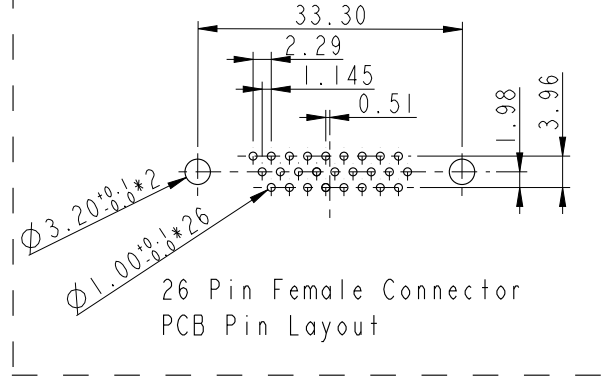


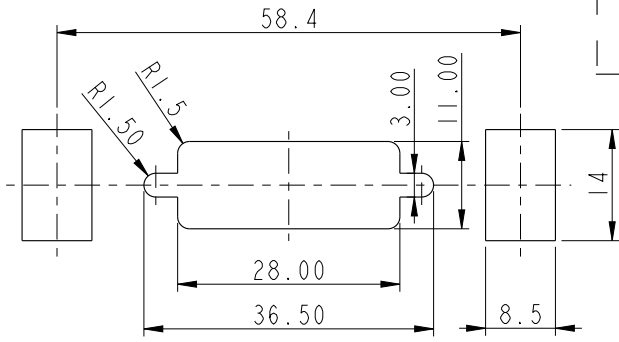
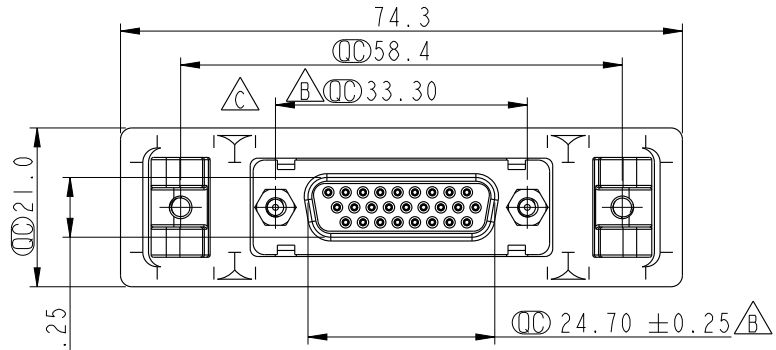
REV.	ECN NO.	DATE	SIGN	DESCRIPTION
B	LEN1390195	2013/09/02	Lu Di	Update Dimension
C	C231127	2023/12/21	Wenxiang	△X3



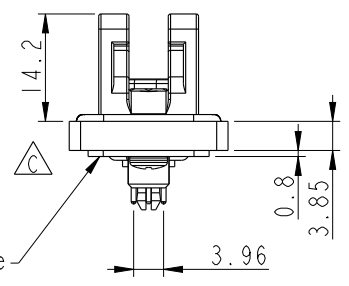
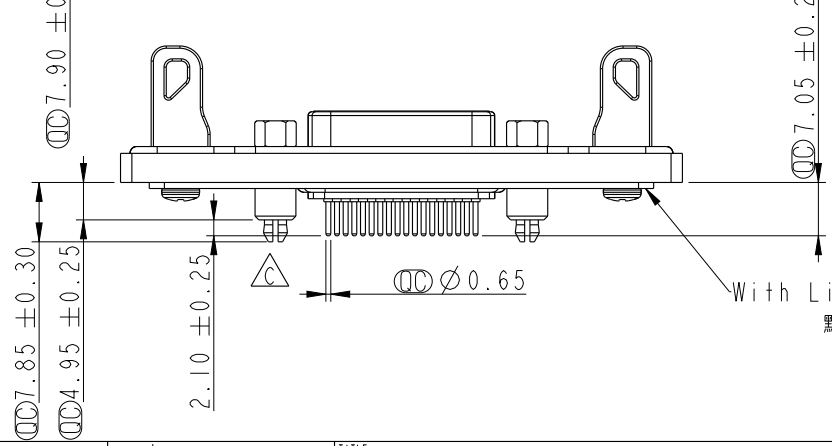
PANEL THICKNESS  
Screw L=6.0 For Panel Thickness  
Between 1.2~2.0mm



26 Pin Female Connector  
PCB Pin Layout



RECOMMENDED PANEL CUT-OUT



NOTE:  
 \*  $\phi$  Important Dimension.  
 \* Waterproof Rate : IP68  
 IP68: 1M of depth of water 24 hours  
 \* Materials:  
 Panel : Zinc  
 Panel Link : Zinc  
 Screw : Stainless, #4-40 UNC  
 O-Ring : Silicone , Black  
 Insulator : PBT  
 Shell : Cold Rolled Steel  
 Contact : Copper Alloy  
 Board Lock : Copper Alloy  
 \* Finish:  
 Panel : Nickel Plated  
 Panel Link : Nickel Plated  
 Board Lock : Nickel Plated  
 Shell : Nickel Plated  
 Contact : Gold Flash

UNIT: mm		
TOLERANCE	.X ±0.25	
.XX ±0.1		
.XXX ±0.05		
ANGLES	±1°	

TITLE D-SUB CONN PANEL QUICK HD26P F CONN F PIN			
SCALE 1:1	SIZE A4	SHEET 1 OF 1	
REV. C	WC-REV. A.4	$\phi$ : Inspection item	

**Amphenol LTW**  
安費諾亮泰企業股份有限公司

ITEM NO. HDB-26PFFP-QA8001	DRAWN BY Wenxiang Li	DATE 2023/12/21
DWG NO. HDB-26PFFP-QA8001	CHECKED BY Feng Li	DATE 2023/12/21
CUSTOMER ALTW	APPROVED BY Jerry	DATE 2023/12/21

THIS DOCUMENT IS SUBJECT TO CHANGE WITHOUT NOTICE. IT IS CONFIDENTIAL AND A PROPERTY OF Amphenol LTW. DISCLOSURE TO THIRD PARTY HAS TO BE AUTHORIZED BY Amphenol LTW.