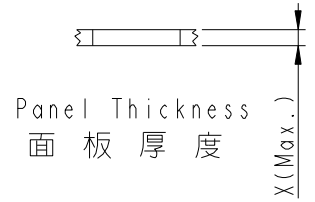
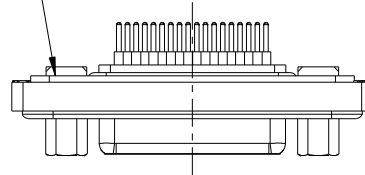
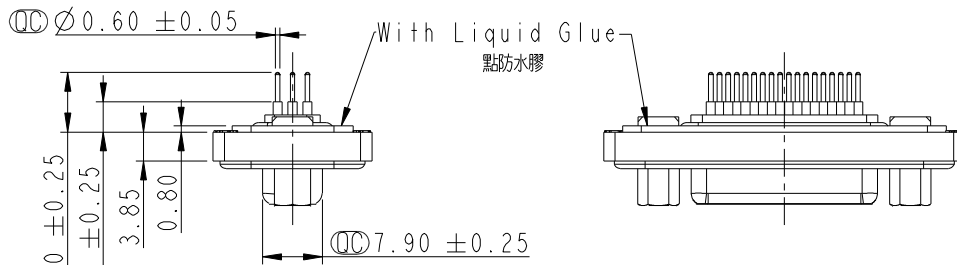
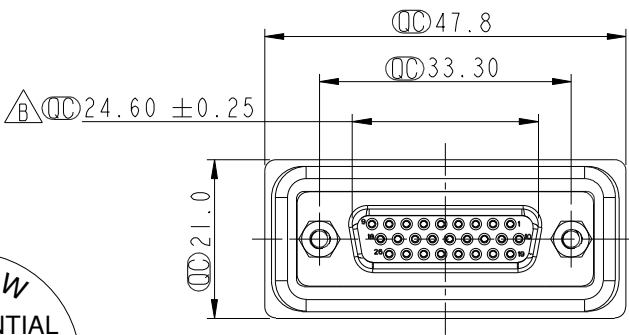
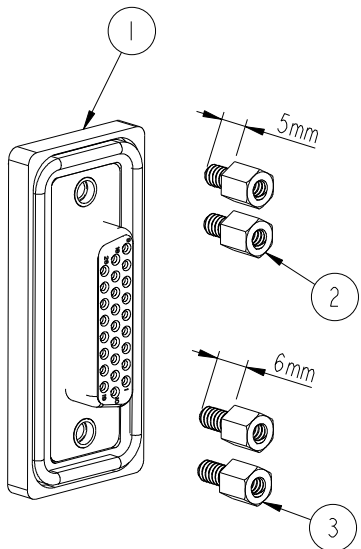


REV.	ECN NO.	DATE	SIGN	DESCRIPTION
B	LEN1390198	2013/09/02	Lu Di	Update Dimension

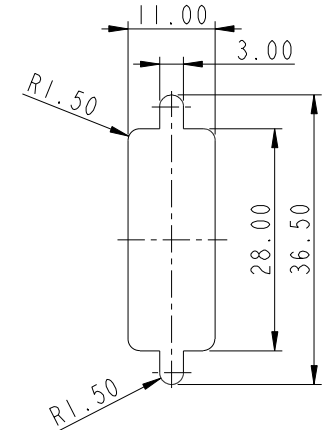


Screw L=5.0 For Panel Thickness Under 1.2mm
適用板厚為1.2mm 以下

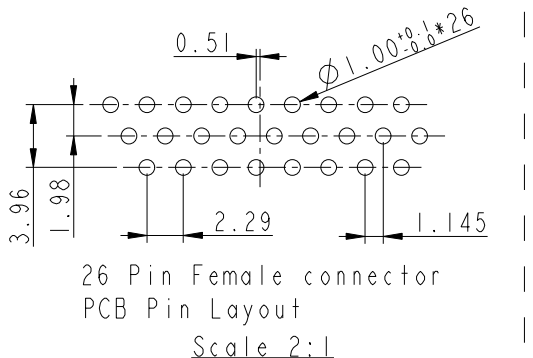
Screw L=6.0 For Panel Thickness Between 1.2~2.0mm
適用板厚為1.2~2.0mm



- Note:
- * \varnothing Important Dimension.
 - * Waterproof Rate : IP68
IP68: 1M of depth of water 24 hours
(防水等級 : IP68)
(IP68: 1米水深24小時)
 - * Do Mating Test After Glued
點膠後, 須作對插測試
 - * HD-SUB Conn. : Black Core , PBT
 - * Plastic Jacket : Black , Nylon+GF
 - * Pin : Copper Alloy , Gold Plated
 - * Ring : Light Blue, Silicone
 - * Screw : Copper Alloy, Nickel Plated, #4-40 UNC



Recommended Panel Cut-Out
建議控孔尺寸



UNIT: mm		
TOLERANCE	.X	± 0.25
	.XX	± 0.1
	.XXX	± 0.05
ANGLES		$\pm 1^\circ$

TITLE D-SUB Conn. Panel Screw HD26P F Conn. F Pin			
SCALE	SIZE	SHEET	OF
1:1	A4	1	1
REV.	WC-REV.	\varnothing : Inspection item	
B	A.3		

Amphenol LTW
安費諾亮泰企業股份有限公司

ITEM NO	HDB-26PFFP-SL8001
DWG NO	HDB-26PFFP-SL8001
CUSTOMER	ALTW

DRAWN BY	Di_lu
CHECKED BY	Mafei
APPROVED BY	Victor

DATE	2013/09/02
DATE	2013/09/02
DATE	2013/09/02

THIS DOCUMENT IS SUBJECT TO CHANGE WITHOUT NOTICE. IT IS CONFIDENTIAL AND A PROPERTY OF Amphenol LTW. DISCLOSURE TO THIRD PARTY HAS TO BE AUTHORIZED BY Amphenol LTW.