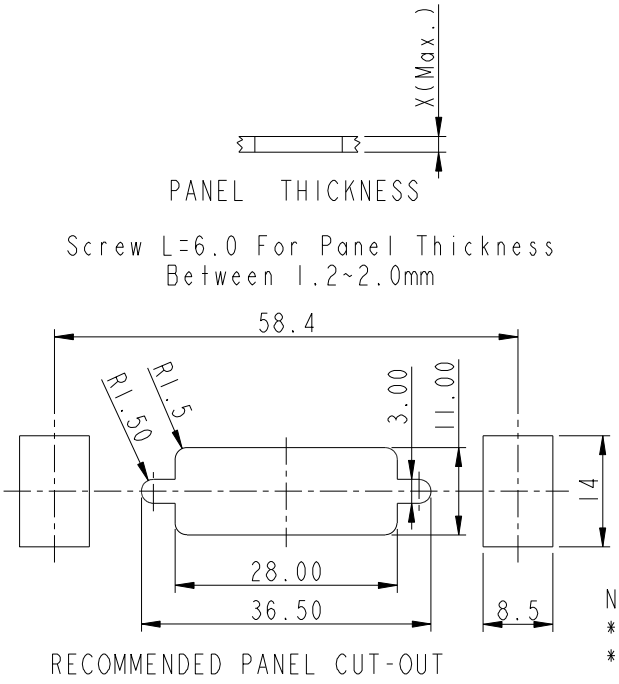


REV.	ECN NO.	DATE	SIGN	DESCRIPTION
A		2006/04/27	DAVID	Released Rev. A
B	LEN1390199	2013/09/02	Lu Di	Update Dimension



NOTE:

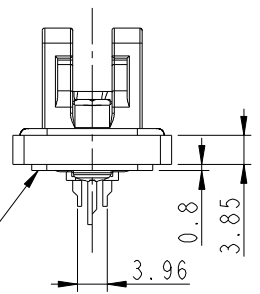
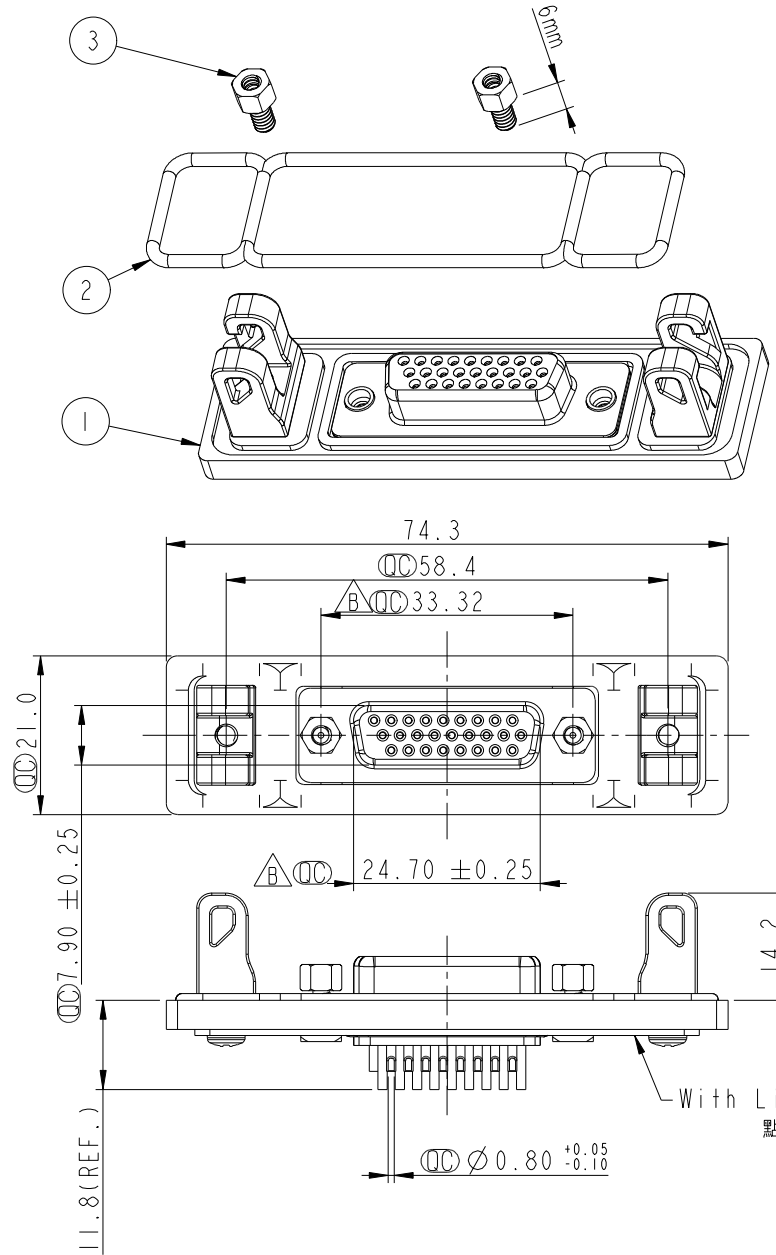
- * ⌀ Important Dimension.
- * Waterproof Rate : IP68
IP68: 1M of depth of water 24 hours
- * Applicable Wire Range: 24AWG-28AWG
- * Materials:
- Panel : Zinc
- Panel Link : Zinc
- Screw : Stainless, #4-40 UNC
- O-Ring : Silicone , Black
- Insulator : PBT
- Shell : Cold Rolled Steel
- Contact : Copper Alloy
- Nut : Copper Alloy
- * Finish:
- Panel : Nickel Plated
- Panel Link : Nickel Plated
- Nut : Nickel Plated
- Shell : Nickel Plated
- Contact : Gold Flash



Screw L=6.0 For Panel Thickness Between 1.2~2.0mm

PANEL THICKNESS

X (Max.)



With Liquid Glue
點防水膠

UNIT: mm	⌀	⌢	TITLE D-SUB PANEL QUICK HD26P F CONN F PIN							
TOLERANCE	.X	±0.25	SCALE	1:1	SIZE	A4	SHEET	1	OF	1
	.XX	±0.1	REV.	B	WC-REV.	A.3	⌀	Inspection item		
	.XXX	±0.05								
	ANGLES	±1°								

Amphenol LTW
安費諾亮泰企業股份有限公司

ITEM NO	HDB-26PFFS-QL8001	DRAWN BY	Di_lu	DATE	2013/09/02
DWG NO	HDB-26PFFS-QL8001	CHECKED BY	Mafei	DATE	2013/09/02
CUSTOMER	ALTW	APPROVED BY	Victor	DATE	2013/09/02

THIS DOCUMENT IS SUBJECT TO CHANGE WITHOUT NOTICE. IT IS CONFIDENTIAL AND A PROPERTY OF Amphenol LTW. DISCLOSURE TO THIRD PARTY HAS TO BE AUTHORIZED BY Amphenol LTW.