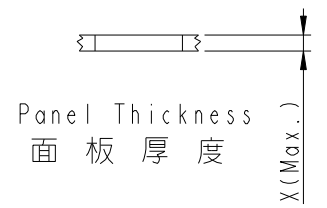
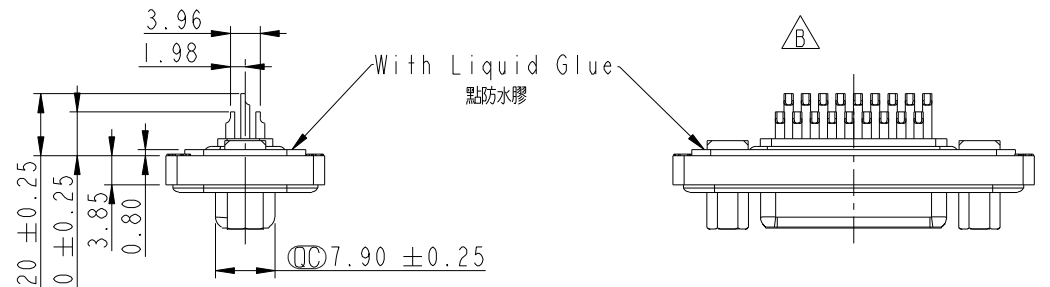
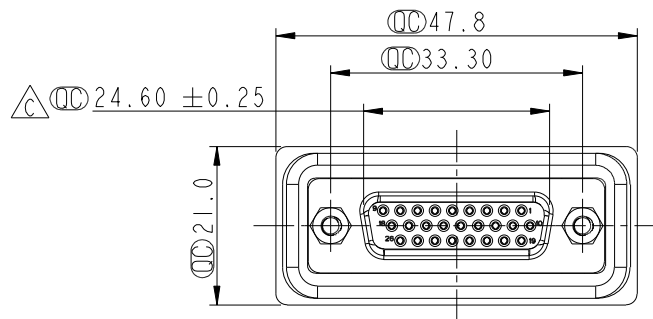




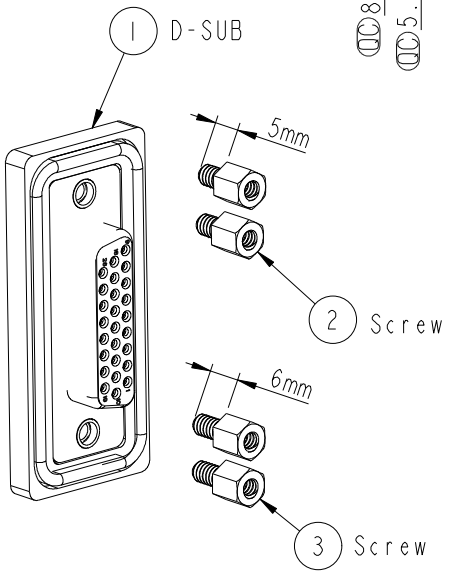
REV.	ECN NO.	DATE	SIGN	DESCRIPTION
B	LEN-990076	2009/08/18	Vicky	Remove Pin Dim.
C	LEN1390200	2013/09/02	Lu Di	Update Dimension



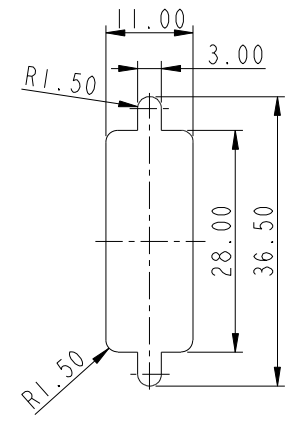
Screw L=5.0 For Panel Thickness Under 1.2mm
適用板厚為 1.2mm 以下



Screw L=6.0 For Panel Thickness Between 1.2~2.0mm
適用板厚為 1.2~2.0mm



- Note:
- * \varnothing Important Dimension.
 - * Waterproof Rate: IP68
IP68: 1M of depth of water 24 hours
(防水等級: IP68)
(IP68: 1米水深24小時)
 - * Do Mating Test After Glued
點膠後, 須作對插測試
 - * Housing: Black, Nylon+GF.
 - * Connector: Black, PBT.
 - * Female Pin: Copper Alloy, Gold Plated.
 - * Ring: Silicone, Light Blue.
 - * Screw: Copper Alloy, Nickel Plated, #4-40 UNC.
 - * Applicable Wire Range: 24AWG-28AWG.
適用電線範圍: 24AWG-28AWG



Recommended Panel Cut-Out
建議控孔尺寸



UNIT: mm	
TOLERANCE	
.X	±0.25
.XX	±0.1
.XXX	±0.05
ANGLES	±1°

TITLE D-SUB Conn. Panel Screw HD26P F Conn. F Pin			
SCALE 1:1	SIZE A4	SHEET 1 OF 1	
REV. C	WC-REV. A.2	\varnothing : Inspection item	

Amphenol LTW
安費諾亮泰企業股份有限公司

ITEM NO. HDB-26PFFS-SL8001	DRAWN BY Di_lu	DATE 2013/09/02
DWG NO. HDB-26PFFS-SL8001	CHECKED BY Mafei	DATE 2013/09/02
CUSTOMER ALTW	APPROVED BY Victor	DATE 2013/09/02

THIS DOCUMENT IS SUBJECT TO CHANGE WITHOUT NOTICE. IT IS CONFIDENTIAL AND A PROPERTY OF Amphenol LTW. DISCLOSURE TO THIRD PARTY HAS TO BE AUTHORIZED BY Amphenol LTW.