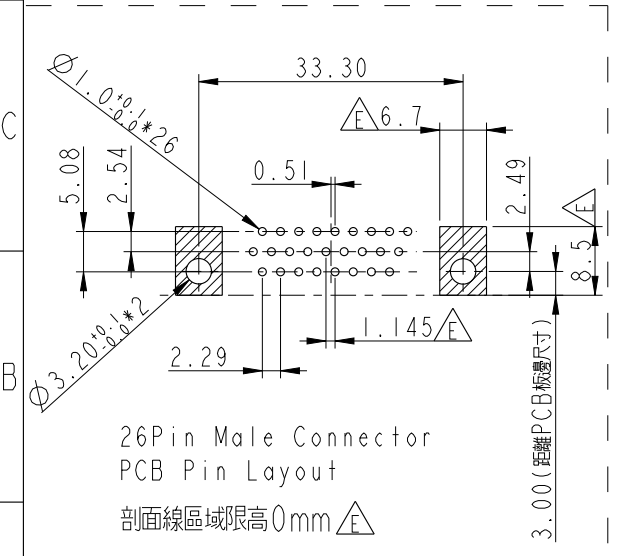
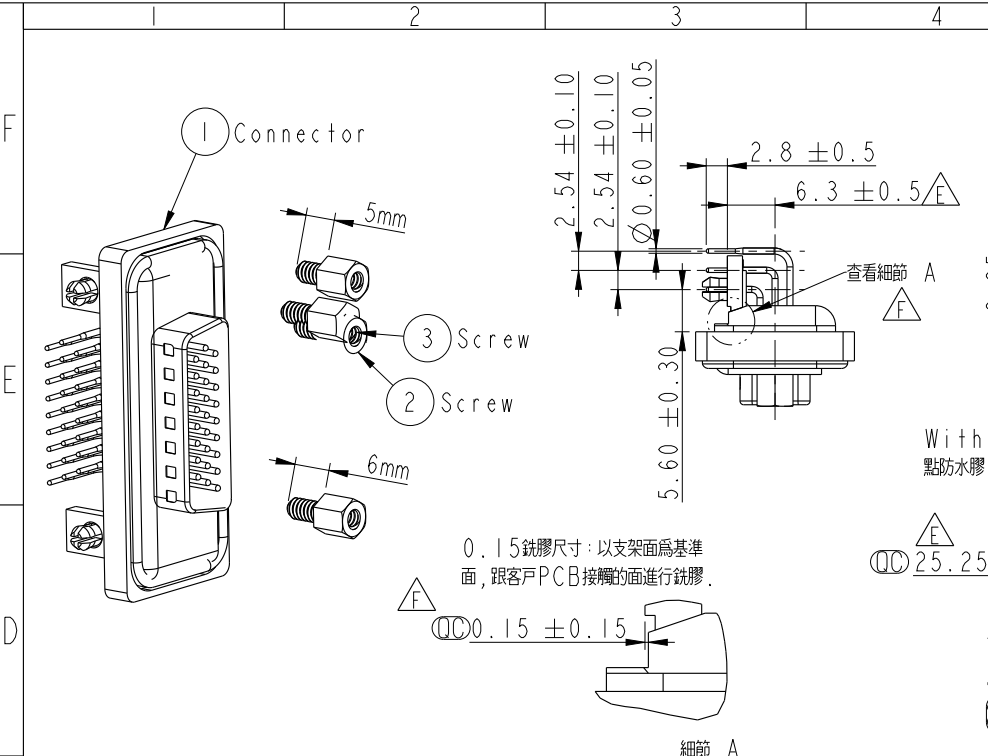


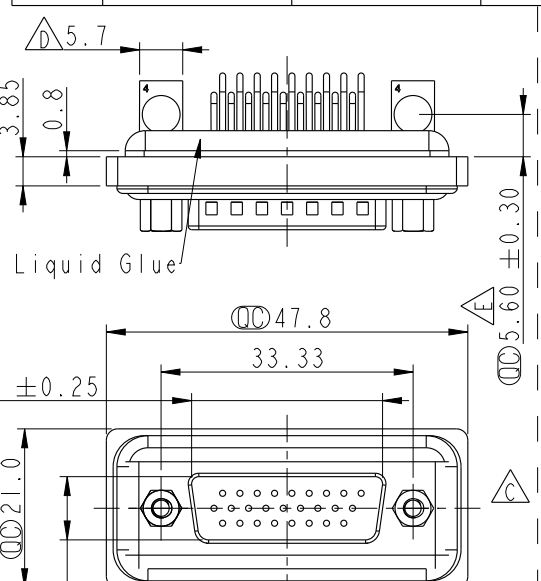
THIS DOCUMENT IS SUBJECT TO CHANGE WITHOUT NOTICE. IT IS CONFIDENTIAL AND A PROPERTY OF Amphenol LTW. DISCLOSURE TO THIRD PARTY HAS TO BE AUTHORIZED BY Amphenol LTW.

REV.	ECN NO.	DATE	SIGN	DESCRIPTION
D	LEN1390204	2013/09/02	Lu Di	Update Dimension
E	LEN1490285	2014/09/15	Vicky	Update Dimension
F	C200380	2020/03/30	JC Chen	FXI



細節 A
比例 3:1

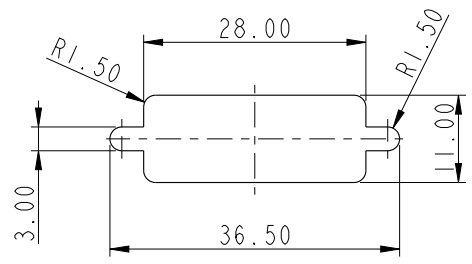
- Note:
- * \varnothing Important Dimension.
 - * Waterproof Rate : IP68
IP68: 1M of depth of water 24 hours
 - * Do Mating Test After Glued
 - * HD-SUB Conn.: PBT, Black Core
 - * Plastic Jacket: Nylon+GF, Black
 - * Male Pin: Copper Alloy , Gold Plated
 - * Ring: Silicone, Light Blue
 - * Screw: Copper Alloy, Nickel Plated, #4-40 UNC
 - * The 90° Board Lock Needs To Connect The Iron Shell
- L 型支架需接鐵殼



Panel Thickness
面板厚度
X (MAX.)

Screw L=5.0 For Panel Thickness
Under 1.2mm
適用板厚 1.2mm 以下

Screw L=6.0 For Panel Thickness
Between 1.2~2.0mm
適用板厚 1.2~2.0mm 以下



Recommended Panel Cut-Out
建議挖孔尺寸

UNIT: mm			TITLE HD26/M Conn., Panel, PCB 90° Add Board Lock
TOLERANCE .X ±0.25 .XX ±0.1 .XXX ±0.05 ANGLES ±1°	SCALE 1:1	SIZE A4	SHEET 1 OF 1
REV. F	WC-REV. A.4	\varnothing : Inspection item	

Amphenol LTW
安費諾亮泰企業股份有限公司

ITEM NO. HDB-26PMMP-SB8001	DRAWN BY Vicky	DATE 2014-09-15
DWG NO. HDB-26PMMP-SB8001	CHECKED BY Sam	DATE 2014-09-15
CUSTOMER ALTW	APPROVED BY Rita	DATE 2014-09-15