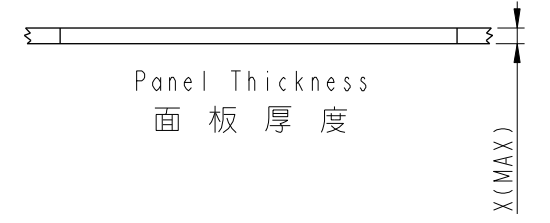
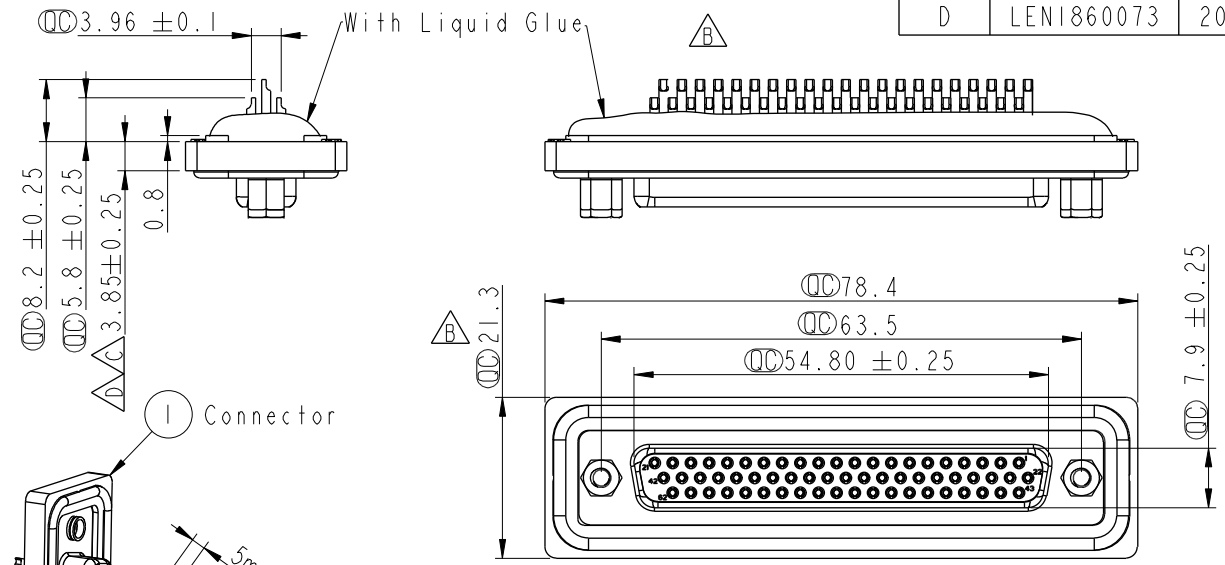


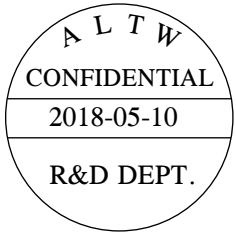
REV.	ECN NO.	DATE	SIGN	DESCRIPTION
A	Initial Release	2007/09/18	Robert Hsu	
B	LEN-9A0277	2009/10/12	Vicky	REF. TO ECR/N.NOTE.
C	LEN13B0267	2013/11/13	Sam	Modify Dimension.
D	LEN1860073	2018/05/10	Richard	Modify Dimension



Panel Thickness
面板厚度

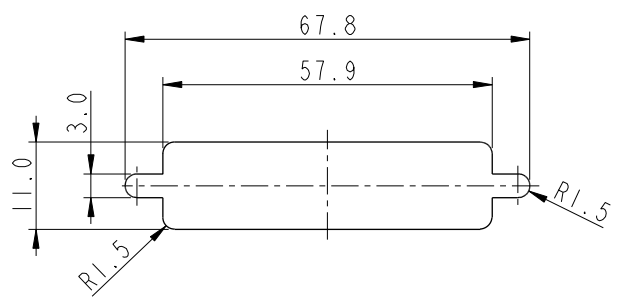
Screw L=5.0 For Panel Thickness
Under 1.2mm
適用板厚為 1.2mm 以下

Screw L=6.0 For Panel Thickness
Between 1.2~2.0mm
適用板厚為 1.2~2.0mm



Note:

- * (M) Important Dimension.
- * Waterproof Rate: IP67
- * Do Mating Test After Glued
點膠後，須作對準測試
- * Housing: Nylon+GF, Black.
- * Connector: PBT, Black.
- * Female Pin: Copper Alloy, Gold Plated.
- * Ring: Silicone, Light Blue.
- * Screw: Copper Alloy, Nickel Plated, #4-40 UNC.
- * Applicable Wire Range: 24AWG-28AWG.
適用電線範圍：24AWG-28AWG



Recommended Panel Cut-Out
建議控孔尺寸

UNIT: mm		
TOLERANCE		
.X	±0.25	
.XX	±0.1	
.XXX	±0.05	
ANGLES	±1°	

TITLE D-SUB Conn. Panel Screw HD62P F Conn. F Pin			
SCALE 1:1	SIZE A4	SHEET 1 OF 1	
REV. D	WC-REV. B.2	(M): Inspection item	

Amphenol LTW
安費諾亮泰企業股份有限公司

ITEM NO. HDB-62PFFS-SL7001	DRAWN BY Richard	DATE 2018-05-10
DWG NO. HDB-62PFFS-SL7001	CHECKED BY Neo	DATE 2018-05-10
CUSTOMER ALTW	APPROVED BY Max	DATE 2018-05-10

THIS DOCUMENT IS SUBJECT TO CHANGE WITHOUT NOTICE. IT IS CONFIDENTIAL AND A PROPERTY OF Amphenol LTW. DISCLOSURE TO THIRD PARTY HAS TO BE AUTHORIZED BY Amphenol LTW.