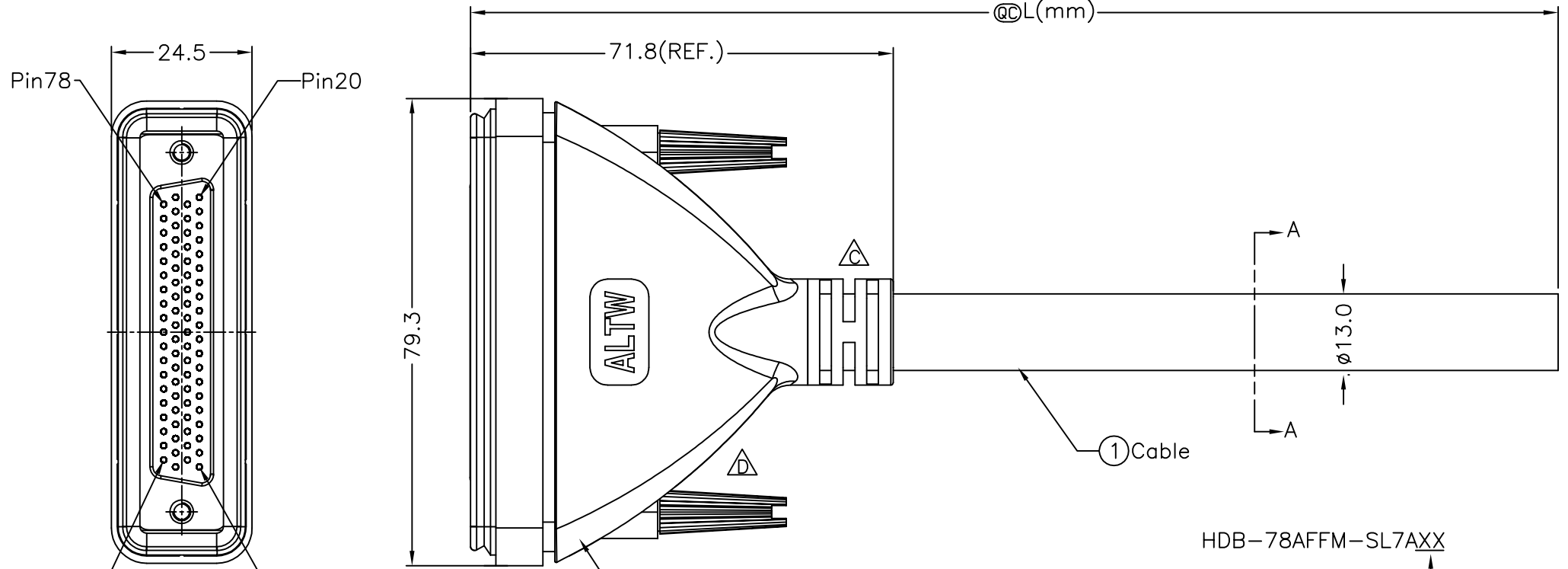


REV.	ECN NO.	DATE	SIGN	DESCRIPTION
B	LEN-710126	2007/01/24	SIMON	Changer wire Color
C	LEN-960040~3	2009/03/12	Li Xiu Zhi	Change SR
D	LEN1590011~14	2015/08/18	Ruru	Changer Logo

THIS DOCUMENT IS SUBJECT TO CHANGE WITHOUT NOTICE. IT IS CONFIDENTIAL AND A PROPERTY OF Amphenol LTW. DISCLOSURE TO THIRD PARTY HAS TO BE AUTHORIZED BY Amphenol LTW.



HDB-78AFFM-SL7AXX
 XX :01~99Meters
 01 :01Meter
 02 :02Meters
 ...
 99 :99Meters
 Cable Length(L):01~99Meters



UNIT:mm	
TOLERANCE	±0.5 mm

TITLE D-SUB CONN CABLE SCREW HD78P F CONN F PIN	
SCALE Free	SHEET 1 OF 2
REV. D	SIZE A4
QC :Inspection Item	

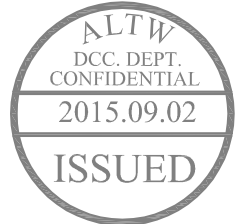
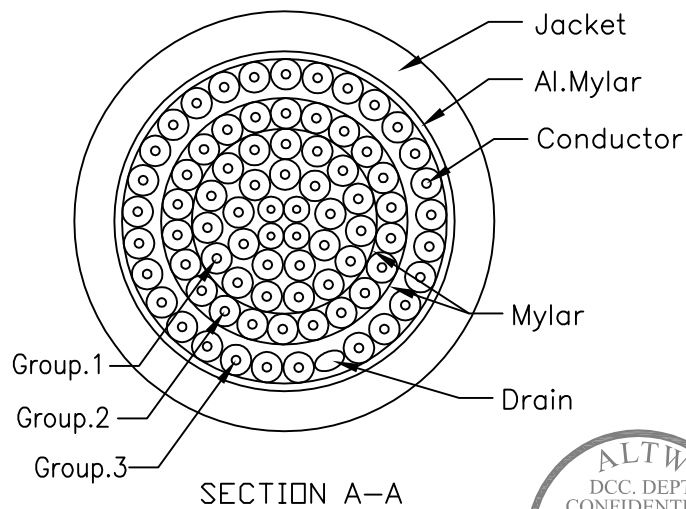
Amphenol LTW
 安費諾亮泰企業股份有限公司

ITEM NO	DRAWN BY Ruru	DATE 2015/08/18
DWG NO HDB-78AFFM-SL7AXX	CHECKED BY Rita	DATE 2015/08/18
CUSTOMER ALTW	APPROVED BY Lion	DATE 2015/08/18

A B C D E F

1 2 3 4 5 6 7 8

THIS DOCUMENT IS SUBJECT TO CHANGE WITHOUT NOTICE. IT IS CONFIDENTIAL AND A PROPERTY OF Amphenol LTW. DISCLOSURE TO THIRD PARTY HAS TO BE AUTHORIZED BY Amphenol LTW.



Group1 Pin Out			Group2 Pin Out			Group3 Pin Out			
Pin	Wire Color	Pin	Wire Color	Pin	Wire Color	Pin	Wire Color	Pin	Wire Color
28	Pink/Green 粉/綠	50	Yellow/Black 黃/黑	72	Yellow/Black 黃/黑	78	Pink/Green 粉/綠		
27	Pink/Blue 粉/藍	49	Orange/Black 橙/黑	71	Orange/Black 橙/黑	77	Pink/Blue 粉/藍		
26	Pink/Red 粉/紅	48	Red/Black 紅/黑	70	Red/Black 紅/黑	76	Pink/Red 粉/紅		
25	Pink/Black 粉/黑	47	Purple/White 紫/白	69	Purple/White 紫/白	75	Pink/Black 粉/黑		
24	Gray/Black 灰/黑	46	Blue/White 藍/白	68	Blue/White 藍/白	74	Gray/Black 灰/黑		
23	Green/Black 綠/黑	45	Green/White 綠/白	67	Green/White 綠/白	73	Green/Black 綠/黑		
22	Yellow/Black 黃/黑	44	Orange/White 橙/白	66	Orange/White 橙/白	72	Yellow/Black 黃/黑		
21	Orange/Black 橙/黑	43	Red/White 紅/白	65	Red/White 紅/白	71	Orange/Black 橙/黑		
20	Red/Black 紅/黑	42	Brown/White 棕/白	64	Brown/White 棕/白	70	Red/Black 紅/黑		
19	Purple/White 紫/白	41	Black/White 黑/白	63	Black/White 黑/白	69	Purple/White 紫/白		
18	Blue/White 藍/白	40	Light Green 淺綠	62	Light Green 淺綠	68	Blue/White 藍/白		
17	Green/White 綠/白	39	△ Pink 粉	61	△ Pink 粉	67	Green/White 綠/白		
16	Orange/White 橙/白	38	△ White 白	60	△ White 白	66	Orange/White 橙/白		
15	Red/White 紅/白	37	Gray 灰	59	Gray 灰	65	Red/White 紅/白		
14	Brown/White 棕/白	36	Purple 紫	58	Purple 紫	64	Brown/White 棕/白		
13	Black/White 黑/白	35	Blue 藍	57	Blue 藍	63	Black/White 黑/白		
12	Light Green 淺綠	34	Green 綠	56	Green 綠	62	Light Green 淺綠		
11	△ Pink 粉	33	Yellow 黃	55	Yellow 黃	61	△ Pink 粉		
10	△ White 白	32	Orange 橙	54	Orange 橙	60	△ White 白		
9	Gray 灰	31	Red 紅	53	Red 紅	59	Gray 灰		
8	Purple 紫	30	Brown 棕	52	Brown 棕	58	Purple 紫		
7	Blue 藍	29	Black 黑	51	Black 黑	57	Blue 藍		
6	Green 綠					56	Green 綠		
5	Yellow 黃					55	Yellow 黃		
4	Orange 橙					54	Orange 橙		
3	Red 紅					53	Red 紅		
2	Brown 棕					52	Brown 棕		
1	Black 黑					51	Black 黑		
Pin	Wire Color	Pin	Wire Color	Pin	Wire Color	Pin	Wire Color		

- Note:
- * @@Important Dimension To Check
 - * Waterproof Rate: IP67
 - * Housing: ABS, Black
 - * Pin: Copper, Gold Plated
 - * Gasket: EPDM, Black
 - * Screw: Steel, Nickel Plated
 - * Cable: UL2464 {(28C*28AWG + Myl)+22C*28AWG + My } +28C*28AWG+D+AL/My (PVC Jacket UV Resistant) OD=13.0mm, Black
 - * Cable Length Tolerance: 01M: ±40mm
02M~05M: ±60mm
06M~10M: ±100mm
11M~30M: ±200mm
31M~99M: ±500mm

UNIT:mm		TITLE D-SUB CONN CABLE SCREW HD78P F CONN F PIN	
TOLERANCE	±0.5 mm	SCALE Free	SHEET 2 OF 2
REV.	D	SIZE A4	QC :Inspection Item

Amphenol LTW
安費諾亮泰企業股份有限公司

ITEM NO	DRAWN BY Ruru	DATE 2015/08/18
DWG NO HDB-78AFFM-SL7AXX	CHECKED BY Rita	DATE 2015/08/18
CUSTOMER ALTW	APPROVED BY Lion	DATE 2015/08/18