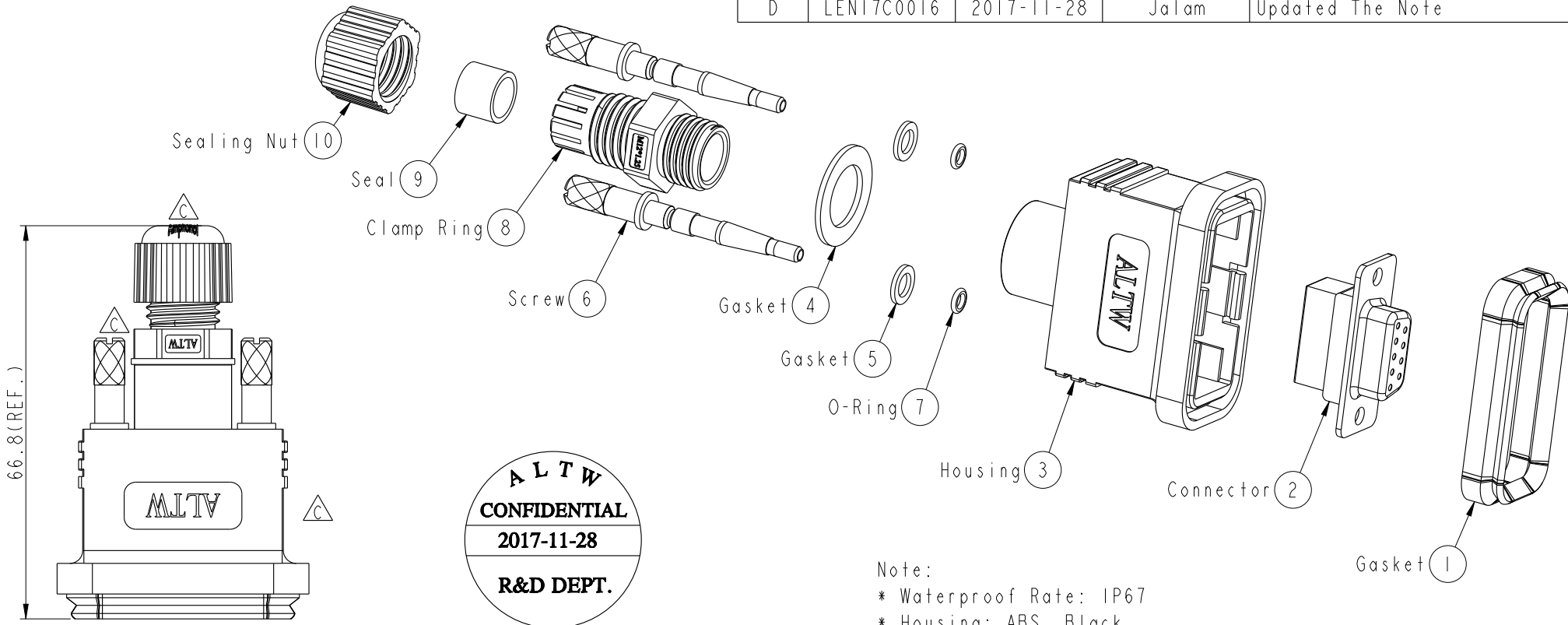


REV.	ECN NO.	DATE	SIGN	DESCRIPTION
B	LEN-050024	2010/04/10	Li Xiu Zhi	Change Dimension.
C	LEN1510157	2015/01/08	Vicky	Update Logo
D	LEN17C0016	2017-11-28	Jalam	Updated The Note



- Note:
- \* Waterproof Rate: IP67
  - \* Housing: ABS, Black.
  - \* Connector: D-SUB 09Pin, Female Pin: Brass, Gold Flash.
  - \* Gasket: EPDM, Black.
  - \* Screw: Brass, Nickel Plated.
  - \* O-Ring: Silicone, Clear.
  - \* Seal For Cable OD:  $\varnothing 3.5\text{mm} \sim \varnothing 7.0\text{mm}$
  - \* Clamp Ring: Nylon, Black.
  - \* Seal: EPDM, Black.
  - \* Sealing Nut: Nylon, Black.
  - \* One Set Unassembled in One PE Bag.
  - \* Pins are Purchased Separately, PN: BBA0140GOXX.



UNIT:mm

TOLERANCE  $\pm 0.5 \text{ mm}$

TITLE D-SUB Conn. Assy Screw DB09Pin F Conn. F Pin			
SCALE 1:1	SIZE A4	SHEET 1 OF 1	
REV. D	WC-REV. A.3	QC: Inspection item	

**Amphenol LTW**  
安費諾亮泰企業股份有限公司

ITEM NO SDB-09BFFC-SL7001	DRAWN BY Jalam	DATE 2017-11-28
DWG NO SDB-09BFFC-SL7001	CHECKED BY Peng_Ling	DATE 2017-11-28
CUSTOMER ALTW	APPROVED BY Jerry	DATE 2017-11-28

THIS DOCUMENT IS SUBJECT TO CHANGE WITHOUT NOTICE. IT IS CONFIDENTIAL AND A PROPERTY OF Amphenol LTW. DISCLOSURE TO THIRD PARTY HAS TO BE AUTHORIZED BY Amphenol LTW.