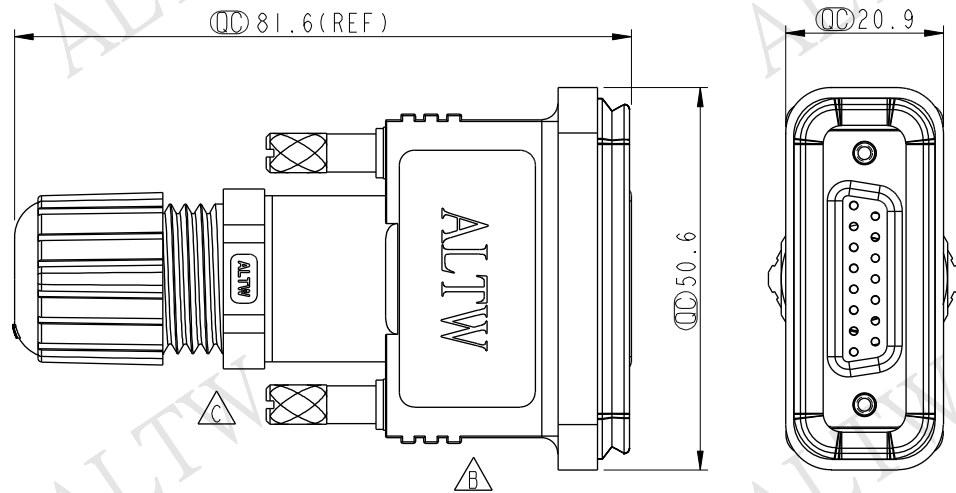
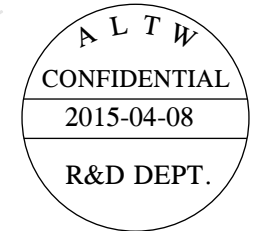
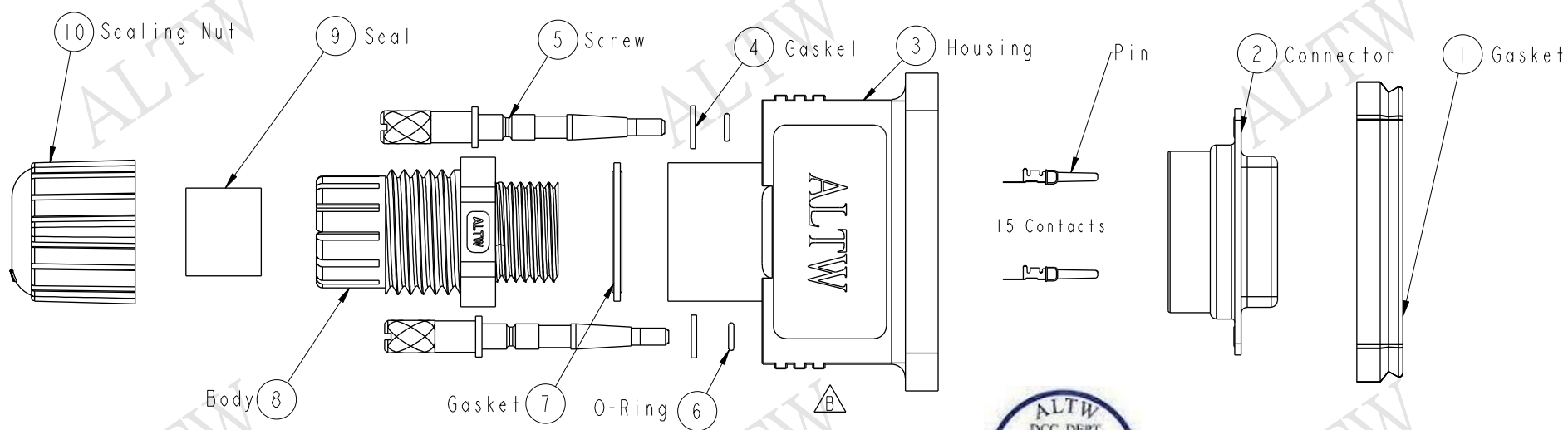


THIS DOCUMENT IS SUBJECT TO CHANGE WITHOUT NOTICE. IT IS CONFIDENTIAL AND A PROPERTY OF AMPHENOL LTW. DISCLOSURE TO THIRD PARTY HAS TO BE AUTHORIZED BY AMPHENOL LTW.

| REV. | ECN NO. | DATE | SIGN | DESCRIPTION |
|------|------------|------------|------|-------------|
| B | LEN1520156 | 2015/01/27 | Ruru | Change Logo |
| C | LEN1560199 | 2015/04/08 | Ruru | Change Logo |



- Note:
- * \varnothing Important Dimension
 - * Waterproof Rate: IP67
 - * Gasket: EPDM, Black
 - * Connector: D-SUB 15Pin Female
 - * Female Pin: Copper Alloy, Gold Plated
 - * Screw: Brass, Nickel Plated
 - * O-Ring: Silicone
 - * Seals: EPDM, Black
 - * Sealing Nut: Nylon, Black
 - * Seals for Cable OD: $\varnothing 6.0\text{mm} \sim \varnothing 10.0\text{mm}$
 - * One Set Unassembled in PE Bags
 - * Pins are Purchased Separately, PN: BBA0140GOXX

| | | | |
|---|----------------|---------------------------------|--|
| UNIT: mm | | | TITLE D-SUB Conn Assy Screw DB15Pin F Conn F Pin |
| TOLERANCE .X ±0.25 .XX ±0.1 .XXX ±0.05 ANGLES ±1° | SCALE 1:1 | SIZE A4 | SHEET 1 OF 1 |
| REV. C | WC-REV. A.2 | \varnothing : Inspection item | |

Amphenol LTW
安費諾亮泰企業股份有限公司

| | | |
|-------------------------------|---------------------|--------------------|
| ITEM NO. SDB-15BFFC-SL7001 | DRAWN BY Ruru | DATE 2015-04-08 |
| DWG NO. SDB-15BFFC-SL7001 | CHECKED BY Rita | DATE 2015-04-08 |
| CUSTOMER ALTW | APPROVED BY Lion | DATE 2015-04-08 |