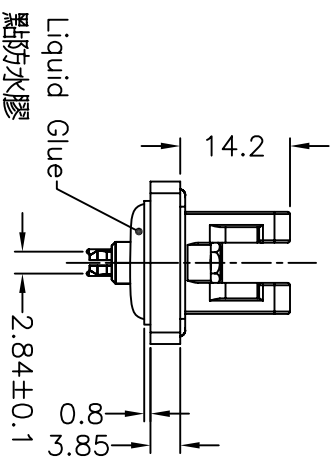
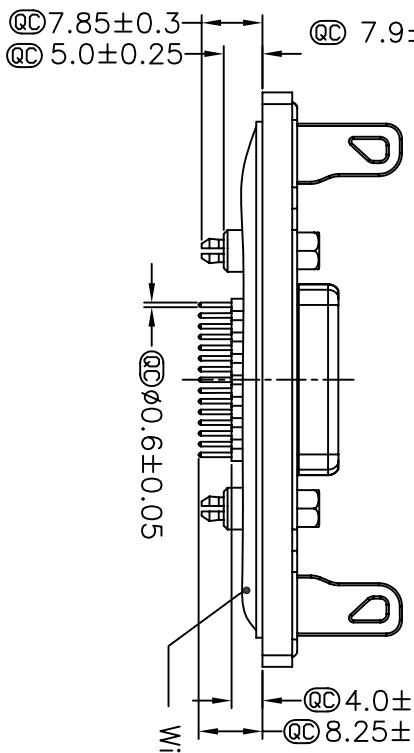
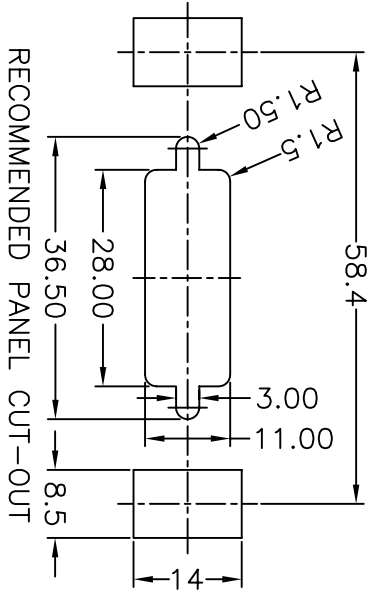
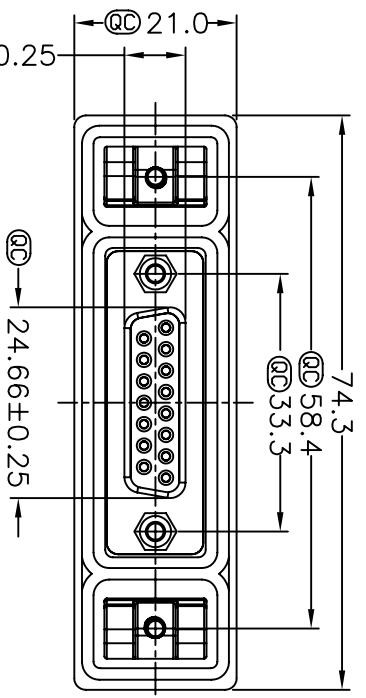
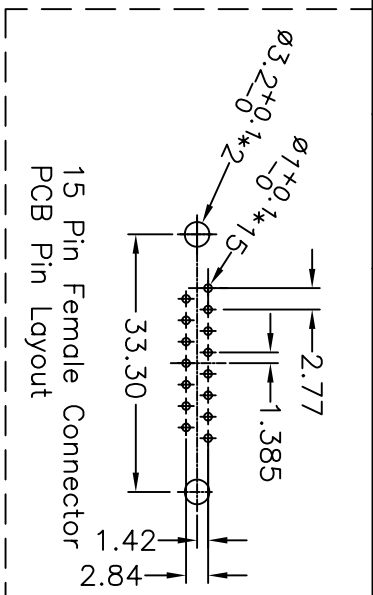


PANEL THICKNESS
Screw L=6.0 For Panel Thickness
Between 1.2~2.0mm



NOTE:
 * @ Important Dimension.
 * Materials:
 Panel : Zinc
 Panel Link : Zinc
 Screw : Stainless, #4-40 UNC
 O-Ring : Silicone Black
 Insulator : PBT
 Shell : Cold Rolled Steel
 Contact : Copper Alloy
 Board Lock : Copper Alloy
 Finishes:
 Panel : Nickel Plated
 Panel Link : Nickel Plated
 Board Lock : Nickel Plated
 Shell : Nickel Plated
 Contact : Gold Flash
 * Waterproof Rate : IP68
 IP68:1M of depth of water 24 hours

UNIT:mm	
TOLERANCE	± 0.25 ± 0.1 ± 0.05 $\pm 1^\circ$

TITLE	D-SUB CONN				
SCALE	Free	SHEET	1	OF	1
REV.	A	SIZE	A4	@ : Inspection Item	

亮泰企業股份有限公司
LTW

ITEM NO	LTWSDB-15PFFP-QA8001	DRAWN BY	Alan MJ Sundo	DATE	2006/05/10
DWG NO	LTWSDB-15PFFP-QA8001	CHECKED BY	Simon hung	DATE	2006/05/25
CUSTOMER		APPROVED BY	Calvin Hsu	DATE	2006/06/08