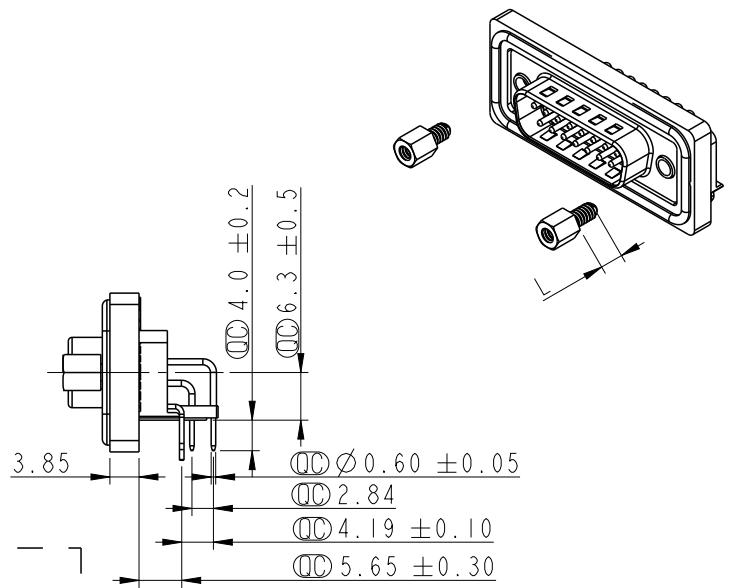
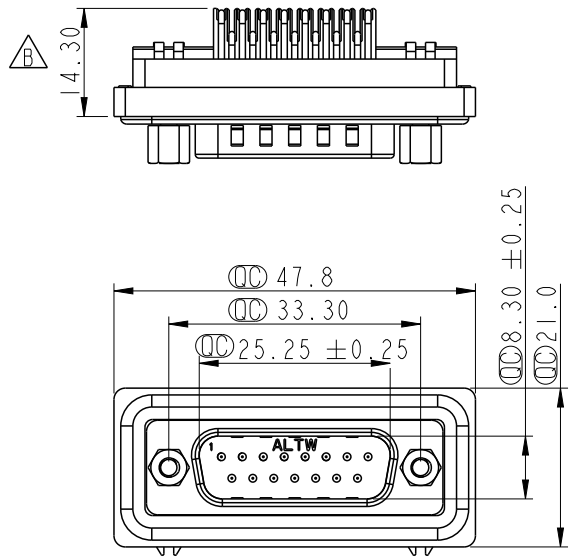
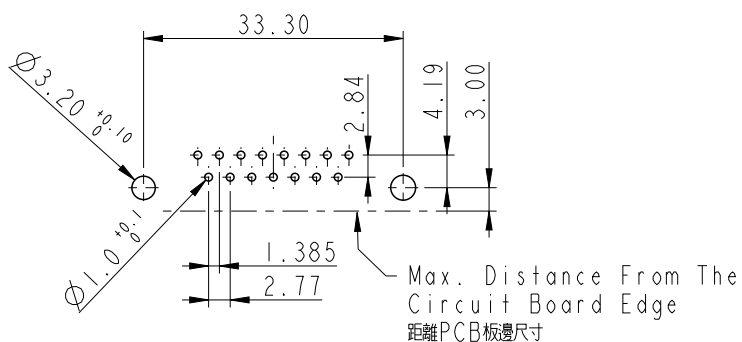


REV.	ECN NO.	DATE	SIGN	DESCRIPTION
A		2020/04/30	Siou	From 05 to A.
B	C210787	2021/06/16	Allen	 XI.

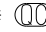


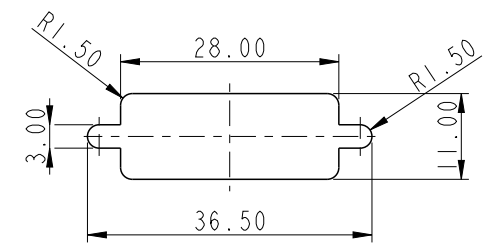
Screw L=5.0 For Panel Thickness Under 1.2mm
適用板厚1.2mm以下

Screw L=6.0 For Panel Thickness Between 1.2~2.0mm
適用板厚1.2~2.0mm以下





15Pin Male Connector
PCB Pin Layout

- Note:
- *  Important Dimension.
 - * Waterproof Rate : IP68
IP68: 1M of depth of water 24 hours
(防水等級: IP68)
(IP68: 1米水深24小時)
 - * Do Mating Test After Glued
點膠後, 須作對插測試
 - * Housing: Thermoplastic, Black
 - * Pin: Copper Alloy, Gold Plated
 - * O-Ring: Rubber, Light Blue
 - * Shell: SPCC, Nickel Plated
 - * Screw: Copper Alloy, Nickel Plated, #4-40 UNC
 - * Board Lock: Copper Alloy, Nickel Plated
 - * PCB Board Thickness: 1.6mm Max.



Recommended Panel Cut-Out
建議挖孔尺寸

UNIT: mm			TITLE D-SUB, DB SHLD, 15P, FRONT FASTENED M, M, PCB S, SCREW
TOLERANCE .X ±0.25 .XX ±0.1 .XXX ±0.05 ANGLE ±1°	SCALE 1:1	SIZE A4	SHEET 1 OF 1
REV. B	WC-REV. A.5	◎: Inspection item	

Amphenol LTW
安費諾亮泰企業股份有限公司

ITEM NO. SDB-15PMMP-SB8002	DRAWN BY Siou	DATE 2020/04/30
DWG NO. SDB-15PMMP-SB8002	CHECKED BY Eagle	DATE 2020/04/30
CUSTOMER ALTW	APPROVED BY Neo	DATE 2020/04/30

THIS DOCUMENT IS SUBJECT TO CHANGE WITHOUT NOTICE. IT IS CONFIDENTIAL AND A PROPERTY OF Amphenol LTW. DISCLOSURE TO THIRD PARTY HAS TO BE AUTHORIZED BY Amphenol LTW.