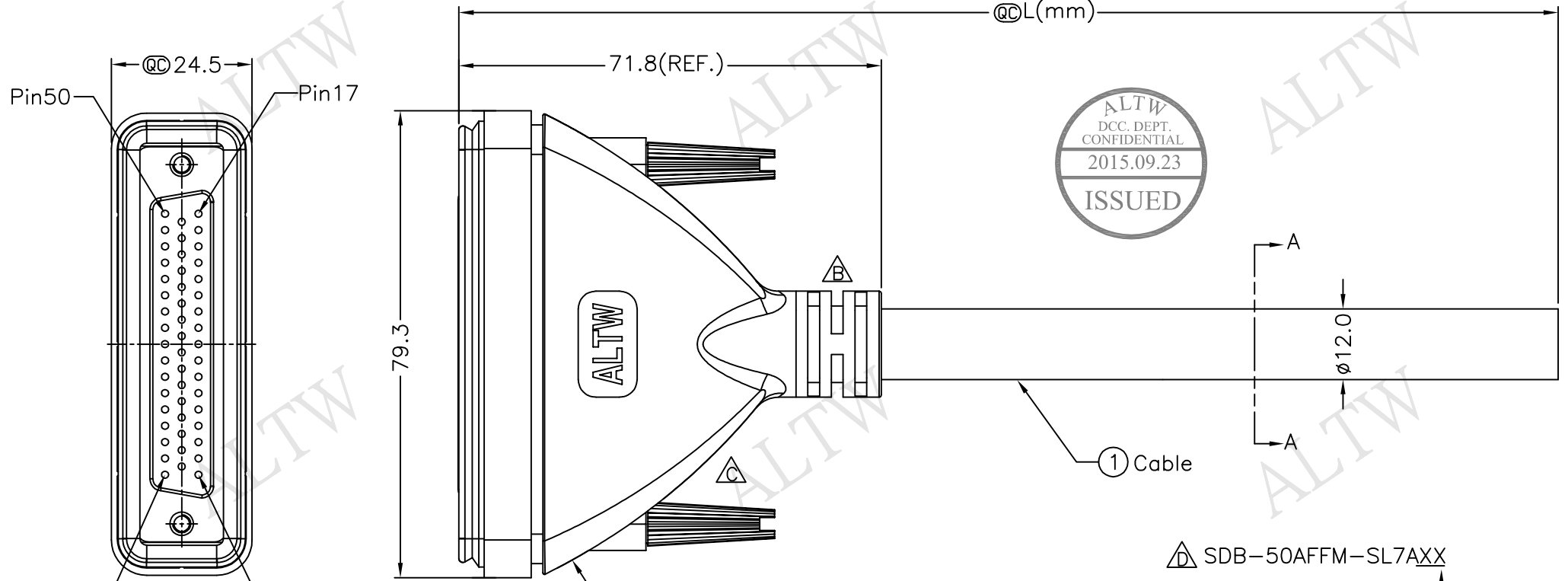


REV.	ECN NO.	DATE	SIGN	DESCRIPTION
B	LEN-960032~035	2009/03/12	Li Xiu Zhi	Change SR
C	LEN1590022~025	2015/08/18	Ruru	Change Logo
D	LEN1590462~465	2015/09/11	Vicky	Update DWG No.



② SDB-50AFFM-SL7000  
Color: Black

△ SDB-50AFFM-SL7AXX

XX :01~99Meters  
01 :01Meter  
02 :02Meters  
...  
99 :99Meters  
Cable Length(L):01~99Meters



UNIT:mm	
TOLERANCE	
±0.5 mm	

TITLE	
D-SUB CONN CABLE SCREW DB50P F CONN F PIN	
SCALE	SHEET 1 OF 2
Free	2
REV. D	SIZE A4
QC :Inspection Item	

**Amphenol LTW**  
安費諾亮泰企業股份有限公司

ITEM NO	DRAWN BY
DWG NO	CHECKED BY
CUSTOMER	APPROVED BY

Vicky	DATE
Rita	DATE
Lion	DATE

2015/09/11
2015/09/11
2015/09/11

THIS DOCUMENT IS SUBJECT TO CHANGE WITHOUT NOTICE. IT IS CONFIDENTIAL AND A PROPERTY OF Amphenol LTW. DISCLOSURE TO THIRD PARTY HAS TO BE AUTHORIZED BY Amphenol LTW.

F

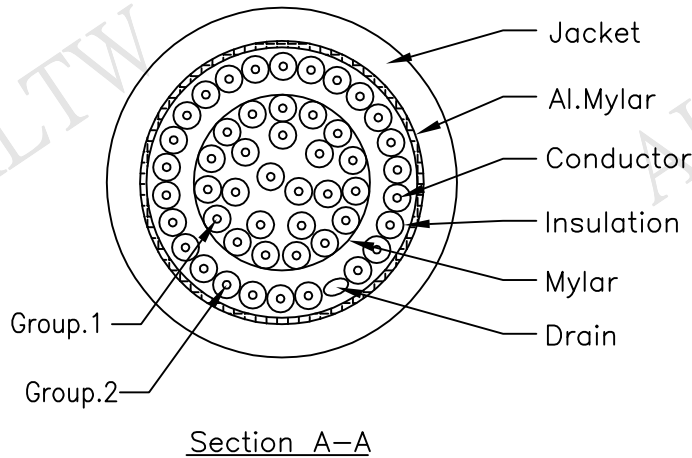
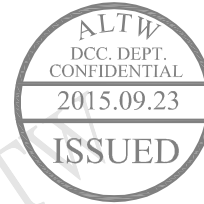
E

D

C

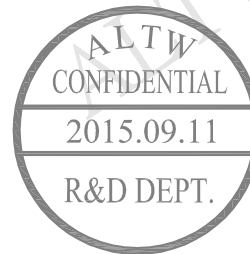
B

A



Note:

- \* Ⓞ Important Dimension To Check.
- \* Waterproof Rate: IP67
- \* Housing: ABS, Black
- \* Female Pin: Copper, Gold Plated
- \* Gasket: EPDM, Black
- \* Screw: Steel, Nickel Plated
- \* Cable: UL2464 (25C\*24AWG+My)+25C\*24AWG+D+AL.My (PVC Jacket UV Resistant)OD=12.0mm, Black
- \* Cable Length Tolerance: 01M: ±40mm  
 02M~05M: ±60mm  
 06M~10M: ±100mm  
 11M~30M: ±200mm  
 31M~99M: ±500mm



			Shell	Drain	地線
25	Pink/Black	粉/黑	50	Pink/Black	粉/黑
24	Gray/Black	灰/黑	49	Gray/Black	灰/黑
23	Green/Black	綠/黑	48	Green/Black	綠/黑
22	Yellow/Black	黃/黑	47	Yellow/Black	黃/黑
21	Orange/Black	橙/黑	46	Orange/Black	橙/黑
20	Red/Black	紅/黑	45	Red/Black	紅/黑
19	Purple/White	紫/白	44	Purple/White	紫/白
18	Blue/White	藍/白	43	Blue/White	藍/白
17	Green/White	綠/白	42	Green/White	綠/白
16	Orange/White	橙/白	41	Orange/White	橙/白
15	Red/White	紅/白	40	Red/White	紅/白
14	Brown/White	棕/白	39	Brown/White	棕/白
13	Black/White	黑/白	38	Black/White	黑/白
12	Light Green	淺綠	37	Light Green	淺綠
11	Pink	粉	36	Pink	粉
10	White	白	35	White	白
9	Gray	灰	34	Gray	灰
8	Purple	紫	33	Purple	紫
7	Blue	藍	32	Blue	藍
6	Green	綠	31	Green	綠
5	Yellow	黃	30	Yellow	黃
4	Orange	橙	29	Orange	橙
3	Red	紅	28	Red	紅
2	Brown	棕	27	Brown	棕
1	Black	黑	26	Black	黑
Conn.	Wire Color		Conn.	Wire Color	
Group1 Pin Out			Group2 Pin Out		

UNIT:mm		TITLE D-SUB CONN CABLE SCREW DB50P F CONN F PIN	
TOLERANCE	±0.5 mm	SCALE Free	SHEET 2 OF 2
REV.	D	SIZE A4	Ⓞ :Inspection Item

**Amphenol LTW**  
安費諾亮泰企業股份有限公司

ITEM NO	DRAWN BY Vicky	DATE 2015/09/11
DWG NO SDB-50AFFM-SL7AXX	CHECKED BY Rita	DATE 2015/09/11
CUSTOMER ALTW	APPROVED BY Lion	DATE 2015/09/11

THIS DOCUMENT IS CONFIDENTIAL AND NOT BE DISSEMINATED OUTSIDE OF THE COMPANY WITHOUT BE AUTHORIZED BY AMPHENOL LTW.