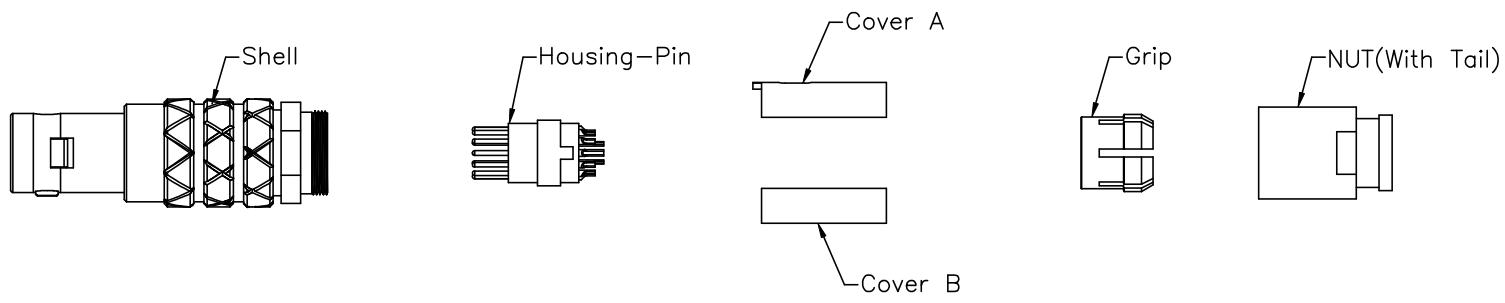
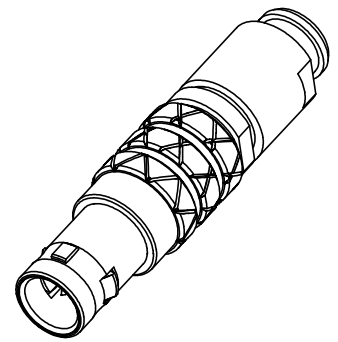
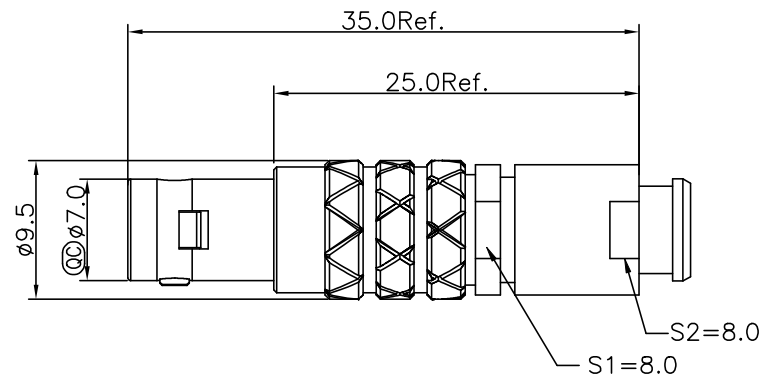


REV.	DESCRIPTION
B	Change Number
C	Change Cable dia range

THIS DOCUMENT IS SUBJECT TO CHANGE WITHOUT NOTICE. IT IS CONFIDENTIAL AND A PROPERTY OF Amphenol LTW. DISCLOSURE TO THIRD PARTY HAS TO BE AUTHORIZED BY Amphenol LTW.

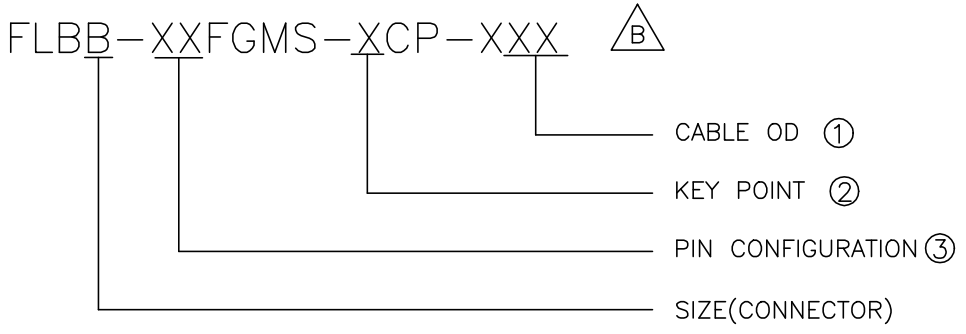


Notes:
 * $\text{\textcircled{C}}$ Important Dimensions To Check.
 * Pin: Copper Alloy, Gold Plated.



UNIT:mm $\pm 0.5\text{MM}$	TITLE FLO 0B FI CONNECTOR		Amphenol LTW 安費諾亮泰企業股份有限公司	ITEM NO	DRAWN BY Ouyang	DATE 2019/09/04
	SCALE Free	SHEET 1 OF 2		DWG NO FLBB-XXFGMS-XCP-XXX	CHECKED BY Mafei	DATE 2019/09/04
	REV. C	SIZE A4		$\text{\textcircled{C}}$:Inspection Item	CUSTOMER ALTW	APPROVED BY Jerry

THIS DOCUMENT IS SUBJECT TO CHANGE WITHOUT NOTICE. IT IS CONFIDENTIAL AND A PROPERTY OF Amphenol LTW. DISCLOSURE TO THIRD PARTY HAS TO BE AUTHORIZED BY Amphenol LTW.



OB-SERIES CABLE COLLET(CABLE OD)			
CABLE CLAMP SET		CABLE DIA RANGE	
TYPE	CODE ①	MAX	MIN $\triangle C$
FLBB-XXFGMS-XCP-XXX $\triangle B$	201	3.2	2.2
	204	4.2	3.3
	207	5.2	4.3
	--	--	--

KEY POINT ②						
CODE	G	A	B	C	J	F
	0°	30°	60°	90°	45°	155°
GRAPHIC						

PIN CONFIGURATION (Solder Definition) ③							
GRAPHIC	2 PIN	3 PIN	4 PIN	5 PIN	6 PIN	7 PIN	9 PIN

UNIT:mm $\pm 0.5MM$	TITLE FLO OB FI CONNECTOR	 安費諾亮泰企業股份有限公司	ITEM NO	DRAWN BY Ouyang	DATE 2019/09/04	
	SCALE Free		SHEET 2 OF 2	DWG NO FLBB-XXFGMS-XCP-XXX	CHECKED BY Mafei	DATE 2019/09/04
	REV. C		SIZE A4	CUSTOMER ALTW	APPROVED BY Jerry	DATE 2019/09/04