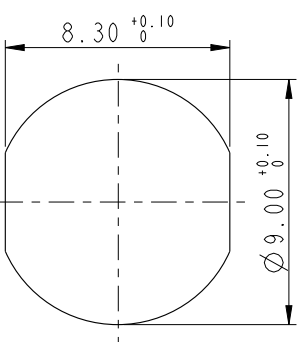
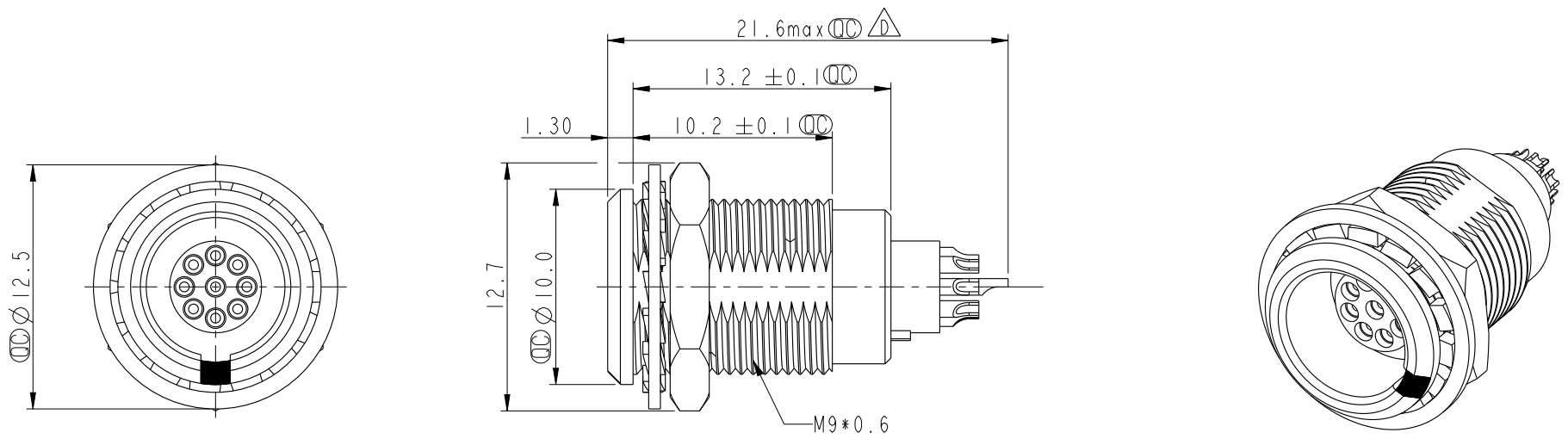


THIS DOCUMENT IS SUBJECT TO CHANGE WITHOUT NOTICE. IT IS CONFIDENTIAL AND A PROPERTY OF AMPHENOL LTW. DISCLOSURE TO THIRD PARTY HAS TO BE AUTHORIZED BY AMPHENOL LTW.

REV.	ECN NO.	DATE	SIGN	DESCRIPTION
B	C190181	2019-03-04	Ouyang	X2
C	C211511	2021-10-09	Ouyang	X2
D	C220669	2022-05-05	Ouyang	X1



Recommended  
Panel Cut-Out  
Rear View

- Note:
- \* RoHS Compliant
  - \* Important Dimension
  - \* Connector  
Housing: Thermoplastic, Beige  
Pin: Copper Alloy, Gold Plated
  - \* Shield: Meta
  - \* Nut: Metal
  - \* Use without waterproof cap or dust cap  
Panel thickness max: 7.0mm
  - \* Metal Gasket and nut are assembled on connectors

UNIT:mm			TITLE FLOS, LB-SER, SZ 0, PANEL F H/NUT F, SOLDER, IKEY 0
TOLERANCE	±0.5mm		
SCALE	1:1	SIZE	A4
REV.	D	WC-REV.	.0
		SHEET	1 OF 2
		: Inspection item	

**Amphenol LTW**  
安費諾亮泰企業股份有限公司

ITEM NO		DRAWN BY	ouyang	DATE	2018-09-06
DWG NO	FLBB-XXEGFS-XCP-XXX	CHECKED BY	Jerry	DATE	2018-09-06
CUSTOMER	ALTW	APPROVED BY	Fred	DATE	2018-09-06

THIS DOCUMENT IS SUBJECT TO CHANGE WITHOUT NOTICE. IT IS CONFIDENTIAL AND A PROPERTY OF Amphenol LTW. DISCLOSURE TO THIRD PARTY HAS TO BE AUTHORIZED BY Amphenol LTW.



FLBB - XXEGFS - XCP - XXX

SERIAL NO.

KEY POINT ①

PIN CONFIGURATION ②

SIZE(CONNECTOR)

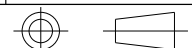
KEY POINT ①

CODE	G	A	B	C	J	F
	0°	30°	60°	90°	45°	155°
GRAPHIC						

PIN CONFIGURATION (Solder Definition) ②

GRAPHIC							
	2 PIN	3 PIN	4 PIN	5 PIN	6 PIN	7 PIN	9 PIN

UNIT:mm



TOLERANCE

±0.5mm

TITLE  
FLOS, LB-SER, SZ 0, PANEL F H/NUT  
F, SOLDER, IKEY 0

SCALE	1:1	SIZE	A4	SHEET	2	OF	2
REV.	D	WC-REV.	.0	☉: Inspection item			

**Amphenol LTW**

安費諾亮泰企業股份有限公司

ITEM NO.

DWG NO.  
FLBB-XXEGFS-XCP-XXX

CUSTOMER  
ALTW

DRAWN BY  
Ouyang

CHECKED BY  
Jerry

APPROVED BY  
Fred

DATE  
2018-09-06

DATE  
2018-09-06

DATE  
2018-09-06