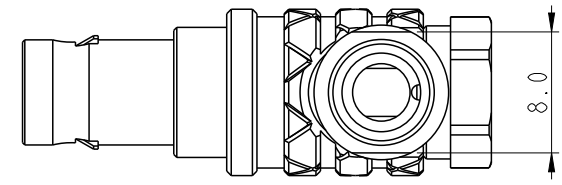
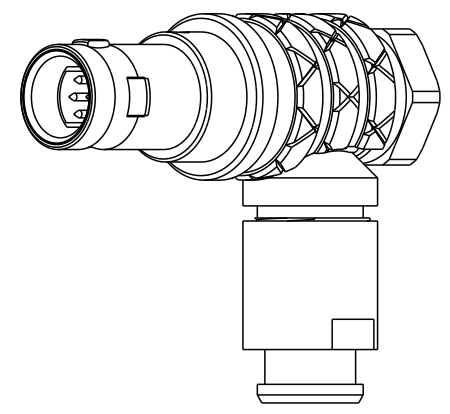
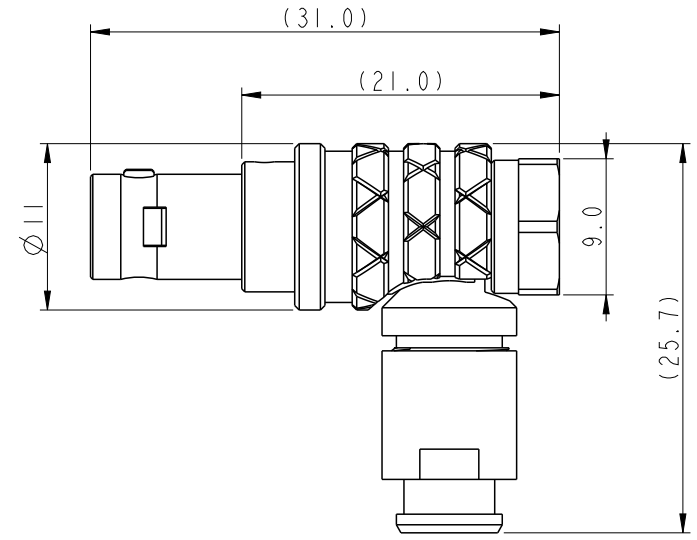
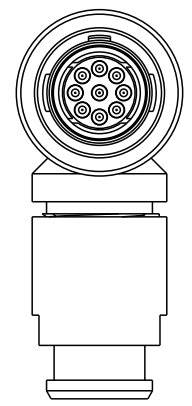


THIS DOCUMENT IS SUBJECT TO CHANGE WITHOUT NOTICE. IT IS CONFIDENTIAL AND A PROPERTY OF AMPHENOL LTW. DISCLOSURE TO THIRD PARTY HAS TO BE AUTHORIZED BY AMPHENOL LTW.

REV.	ECN NO.	DATE	SIGN	DESCRIPTION
A		2019/10/02	Cynthia	New Initial.



Notes:
 * $\text{\textcircled{C}}$ Important Dimensions
 * Male Pin: Copper Alloy, Gold Plated.

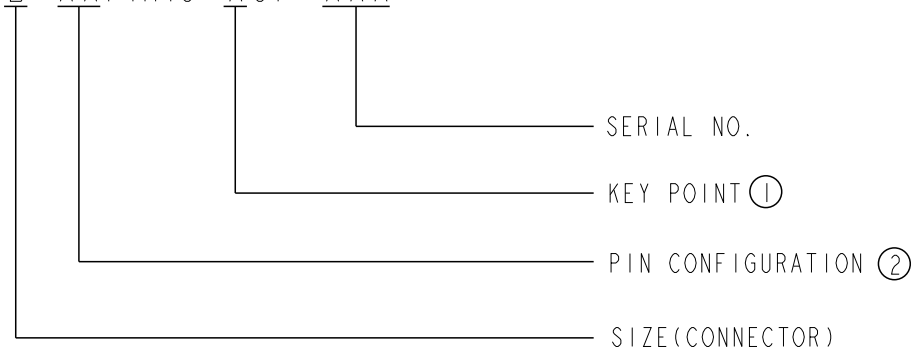
UNIT: mm			TITLE FLO, LB-SER, SIZE 0, XP, FIM R/A M, SOLDER, IKEY 0
TOLERANCE $\pm 0.5\text{mm}$	SCALE 2:1	SIZE A4	SHEET 1 OF 2
REV. A	WC-REV. A.3	$\text{\textcircled{C}}$: Inspection item	

Amphenol LTW
 安費諾亮泰企業股份有限公司

ITEM NO.	DRAWN BY Cynthia	DATE 2019/10/02
DWG NO. FLBB-XXFHMS-XCP-XXX	CHECKED BY Wen	DATE 2019/10/02
CUSTOMER ALTW	APPROVED BY Neo	DATE 2019/10/02

THIS DOCUMENT IS SUBJECT TO CHANGE WITHOUT NOTICE. IT IS CONFIDENTIAL AND A PROPERTY OF Amphenol LTW. DISCLOSURE TO THIRD PARTY HAS TO BE AUTHORIZED BY Amphenol LTW.

FLBB-XXFHMS-XCP-XXX



KEY POINT ①

CODE	G	A	B	C	J	F
	0°	30°	60°	90°	45°	155°
GRAPHIC						

PIN CONFIGURATION (Solder Definition) ②

GRAPHIC							
	2 PIN	3 PIN	4 PIN	5 PIN	6 PIN	7 PIN	9 PIN

UNIT:mm		
TOLERANCE	±0.5mm	

TITLE FLO, LB-SER, SIZE 0, XP, FIM R/A M, SOLDER, IKEY 0		
SCALE 1:1	SIZE A4	SHEET 2 OF 2
REV. A	WC-REV. A.3	QC: Inspection item

Amphenol LTW
安費諾亮泰企業股份有限公司

ITEM NO	DRAWN BY Cynthia	DATE 2019/10/02
DWG NO FLBB-XXFHMS-XCP-XXX	CHECKED BY Wen	DATE 2019/10/02
CUSTOMER ALTW	APPROVED BY Neo	DATE 2019/10/02