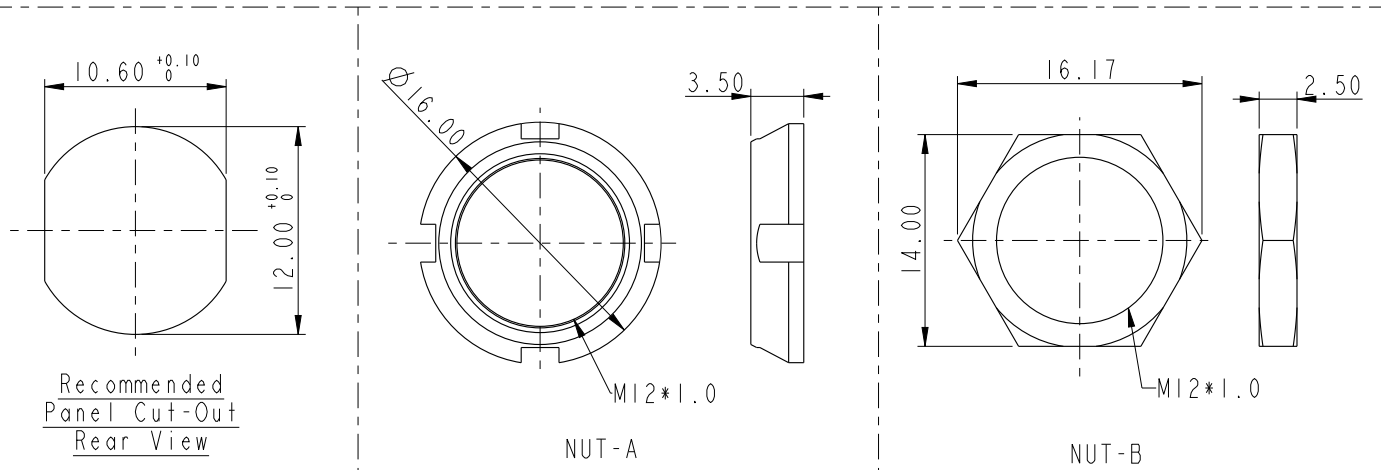
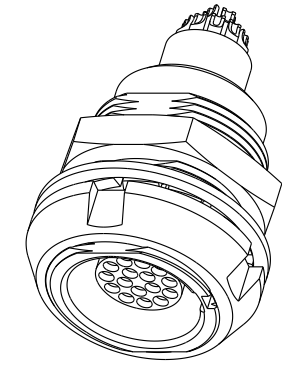
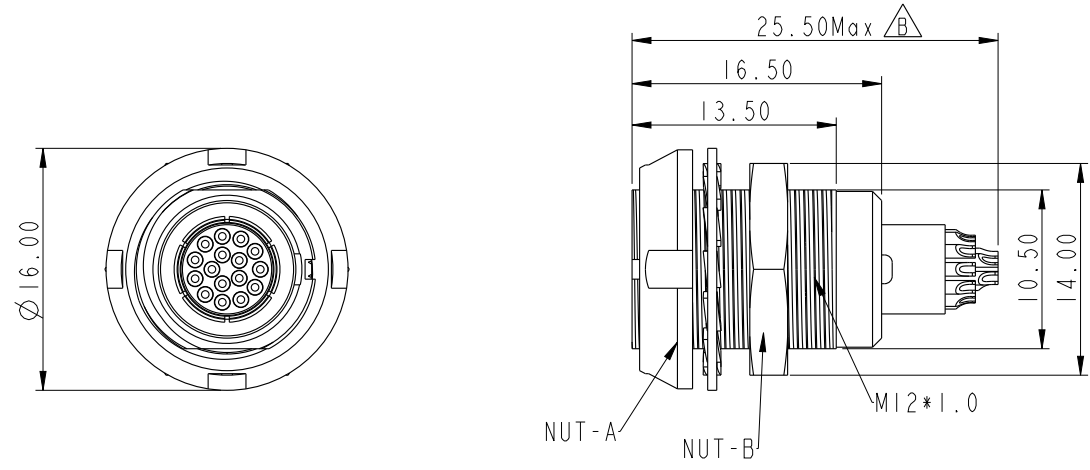


THIS DOCUMENT IS SUBJECT TO CHANGE WITHOUT NOTICE. IT IS CONFIDENTIAL AND A PROPERTY OF Amphenol LTW. DISCLOSURE TO THIRD PARTY HAS TO BE AUTHORIZED BY Amphenol LTW.

REV.	ECN NO.	DATE	SIGN	DESCRIPTION
B	C220669	2022-05-11	Ouyang	$\triangle B$ x2



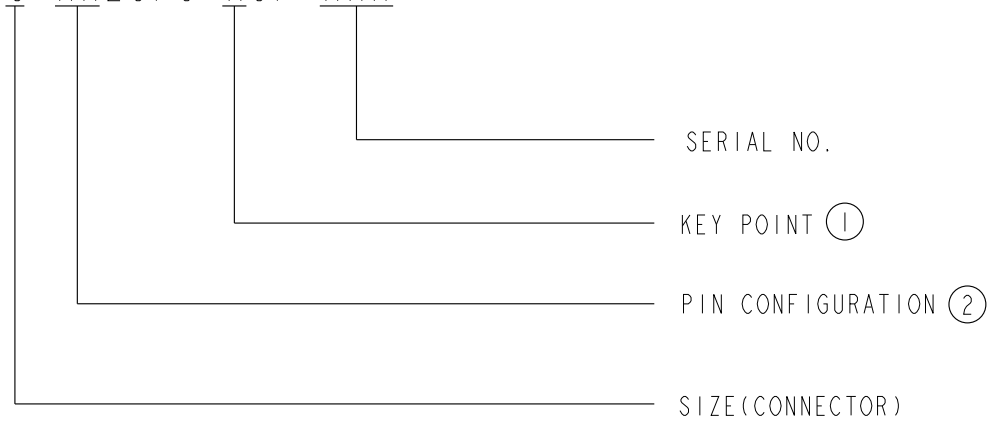
Note: $\triangle B$

- * RoHS Compliant
- * \varnothing Important Dimension
- * Connector
 - Housing: Thermoplastic, Beige
 - Pin: Copper Alloy, Gold Plated
- * Shield: Meta
- * Nut: Metal
- * Use without waterproof cap or dust cap
- Panel thickness max: 5.0mm
- * Metal Gasket and nut are assembled on connectors

UNIT: mm TOLERANCE ± 0.5 mm	TITLE FLO 1B TWO NUT CONNECTOR			ITEM NO.		DRAWN BY Ouyang		DATE 2019-05-16			
	SCALE 1:1			SIZE A4		DWG NO. FLBC-XXECS-XCP-XXX		CHECKED BY Jerry		DATE 2019-05-16	
	REV. B			WC-REV. A.1		CUSTOMER ALTW		APPROVED BY Fred		DATE 2019-05-16	

Amphenol LTW
安費諾亮泰企業股份有限公司

FLBC-XXECFS-XCP-XXX



KEY POINT (1)

CODE	G	A	B	C	J	F
	0°	30°	60°	90°	45°	155°
GRAPHIC						

PIN CONFIGURATION (Solder Definition) (2)

GRAPHIC										
	2PIN	3PIN	4PIN	5PIN	6PIN	7PIN	8PIN	10PIN	14PIN	16PIN

UNIT:mm		
TOLERANCE		
±0.5mm		

TITLE FLO IB TWO NUT CONNECTOR		
SCALE 1:1	SIZE A4	SHEET 2 OF 2
REV. B	WC-REV. A.1	QC: Inspection item

Amphenol LTW
安費諾亮泰企業股份有限公司

ITEM NO	DRAWN BY Ouyang	DATE 2019-05-16
DWG NO FLBC-XXECFS-XCP-XXX	CHECKED BY Jerry	DATE 2019-05-16
CUSTOMER ALTW	APPROVED BY Fred	DATE 2019-05-16