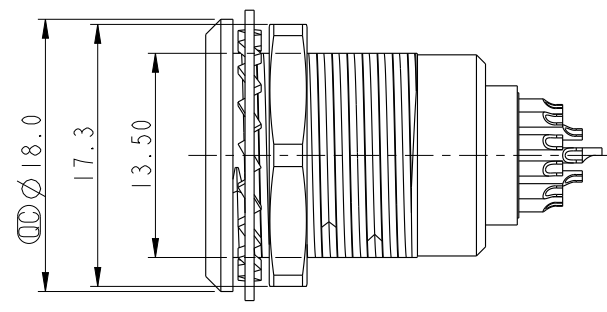
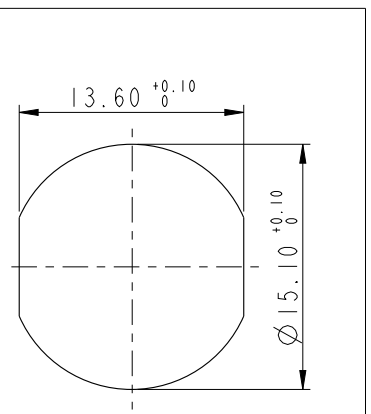
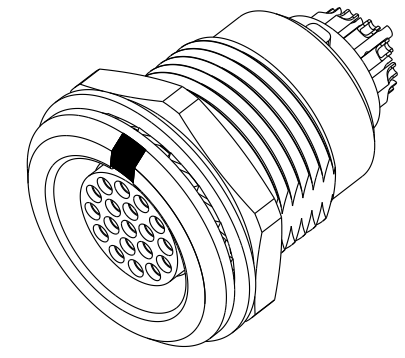
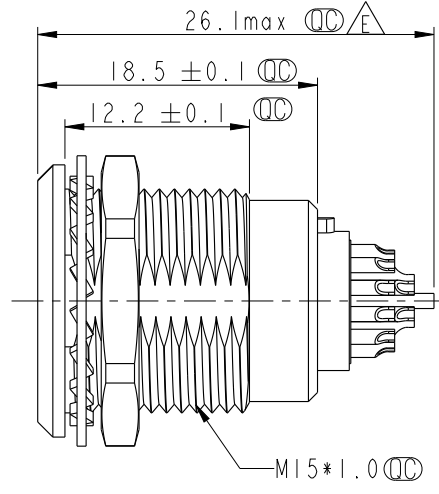
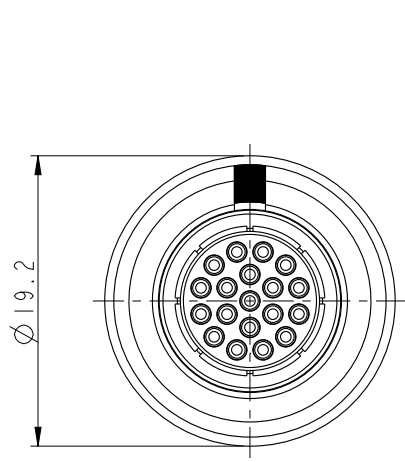


THIS DOCUMENT IS SUBJECT TO CHANGE WITHOUT NOTICE. IT IS CONFIDENTIAL AND A PROPERTY OF AMPHENOL LTW. DISCLOSURE TO THIRD PARTY HAS TO BE AUTHORIZED BY AMPHENOL LTW.

REV.	ECN NO.	DATE	SIGN	DESCRIPTION
C	C190679	2019-05-06	Ouyang	△C X1
D	C211511	2021-09-10	Ouyang	△D X2
E	C220669	2022-05-05	Ouyang	△E X1



- Note:
- \* RoHS Compliant
  - \* Important Dimension
  - \* Connector
  - Housing: Thermoplastic, Beige
  - Pin: Copper Alloy, Gold Plated
  - \* Shield: Metal
  - \* Nut: Metal
  - \* Use without waterproof cap or dust cap
  - Panel thickness max: 8.5mm
  - \* Metal Gasket and nut are assembled on connectors

Recommended  
Panel Cut-Out  
Rear View

UNIT: mm TOLERANCE ±0.5mm	TITLE FLO 2B PANEL CONNECTOR			<h1 style="margin: 0;">Amphenol LTW</h1> <p style="margin: 0;">安費諾亮泰企業股份有限公司</p>	ITEM NO △B	DRAWN BY Ouyang	DATE 2021-09-10
	SCALE 1:1	SIZE A4	SHEET 1 OF 2		DWG NO FLBD-XXEGFS-XCP-XXX	CHECKED BY Jerry	DATE 2021-09-10
	REV. E	WC-REV. .0	Inspection item		CUSTOMER ALTW	APPROVED BY Fred	DATE 2021-09-10

THIS DOCUMENT IS SUBJECT TO CHANGE WITHOUT NOTICE. IT IS CONFIDENTIAL AND A PROPERTY OF Amphenol LTW. DISCLOSURE TO THIRD PARTY HAS TO BE AUTHORIZED BY Amphenol LTW.



FLBD - XXEGFS - XCP - XXX

SERIAL NO.  
KEY POINT ①  
PIN CONFIGURATION ②  
SIZE (CONNECTOR)

KEY POINT ①

CODE	G	A	B	C	J	F
	0°	30°	60°	90°	45°	155°
GRAPHIC						

PIN CONFIGURATION (Solder Definition) ②

GRAPHIC							
	2 PIN	3 PIN	4 PIN	5 PIN	6 PIN	7 PIN	
GRAPHIC							
	8 PIN	10 PIN	12 PIN	14 PIN	16 PIN	18 PIN	19 PIN

UNIT: mm		
TOLERANCE	±0.5mm	

TITLE FLO 2B PANEL CONNECTOR			
SCALE 1:1	SIZE A4	SHEET 2 OF 2	
REV. E	WC-REV. .0	QC: Inspection item	

**Amphenol LTW**  
安費諾亮泰企業股份有限公司

ITEM NO.	
DWG NO.	FLBD-XXEGFS-XCP-XXX
CUSTOMER	ALTW

DRAWN BY	Ouyang
CHECKED BY	Jerry
APPROVED BY	Fred

DATE	2021-09-10
DATE	2021-09-10
DATE	2021-09-10