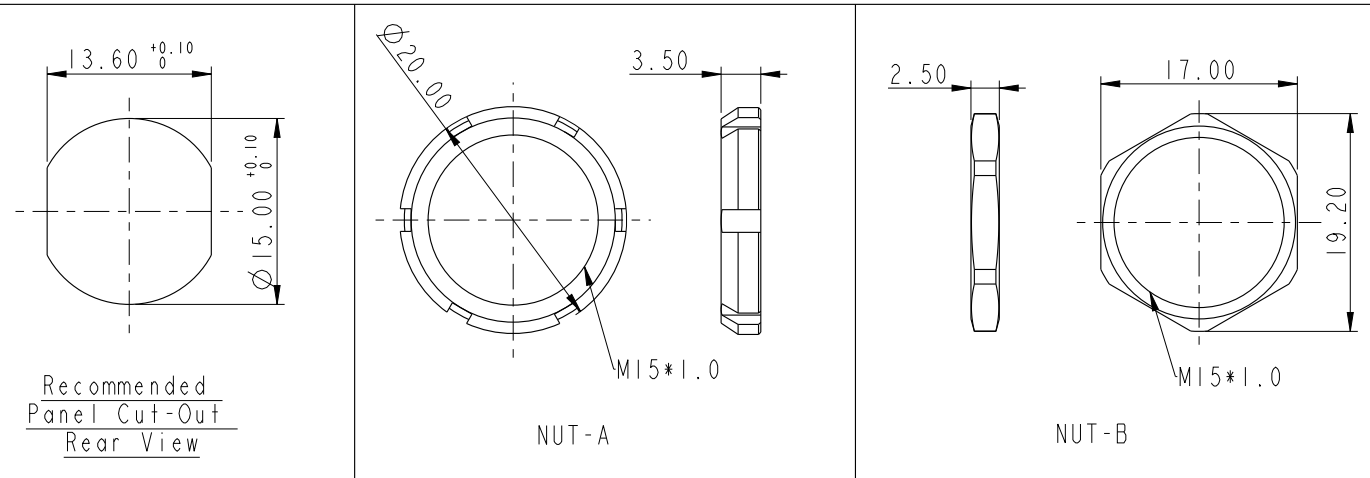
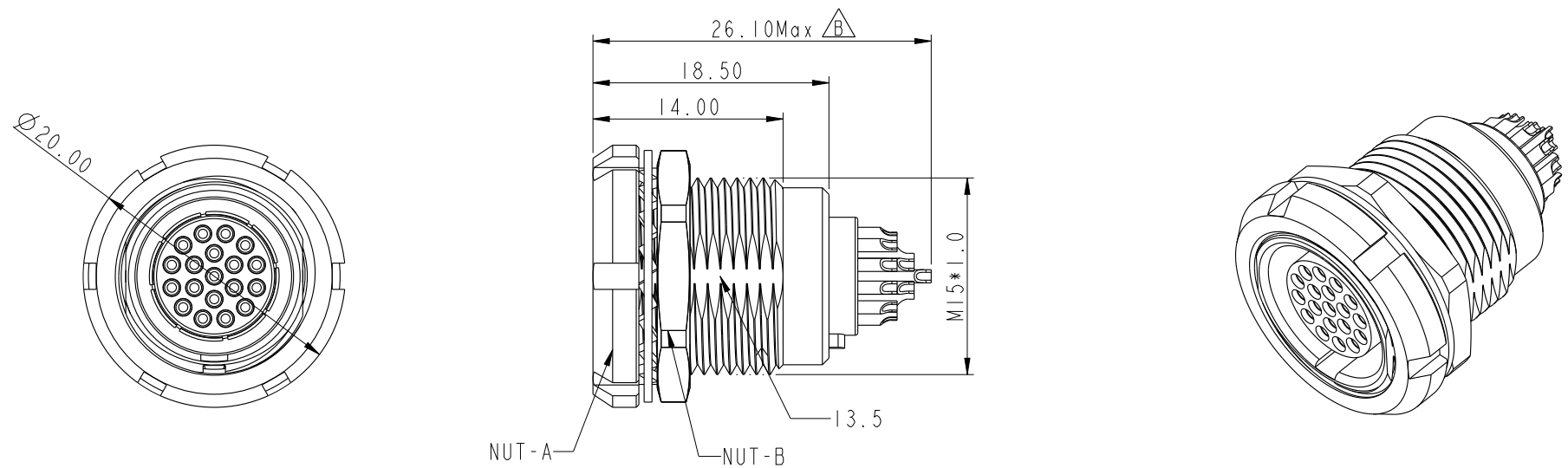


REV.	ECN NO.	DATE	SIGN	DESCRIPTION
B	C220669	2022-05-11	Ouyang	$\triangle B$ x2



Note:  $\triangle B$

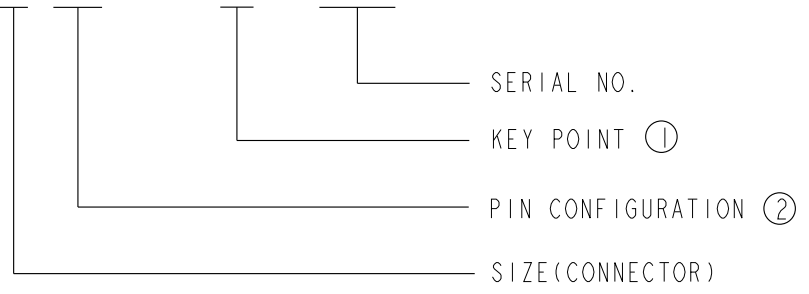
- \* RoHS Compliant
- \*  $\text{CC}$  Important Dimension
- \* Connector
- Housing: Thermoplastic, Beige
- Pin: Copper Alloy, Gold Plated
- \* Shield: Meta
- \* Nut: Metal
- \* Use without waterproof cap or dust cap
- Panel thickness max: 4.5mm
- \* Metal Gasket and nut are assembled on connectors

UNIT: mm TOLERANCE $\pm 0.5$ mm	TITLE FLO 2B TWO NUT PANEL CONNECTOR			<b>Amphenol LTW</b> 安費諾亮泰企業股份有限公司	ITEM NO.	DRAWN BY Ouyang	DATE 2019-05-17
	SCALE 1:1	SIZE A4	SHEET 1 OF 2		DWG NO. FLBD-XXECFS-XCP-XXX	CHECKED BY Jerry	DATE 2019-05-17
	REV. B	WC-REV. A.1	$\text{CC}$ : Inspection item		CUSTOMER ALTW	APPROVED BY Fred	DATE 2019-05-17

THIS DOCUMENT IS SUBJECT TO CHANGE WITHOUT NOTICE. IT IS CONFIDENTIAL AND A PROPERTY OF AMPHENOL LTW. DISCLOSURE TO THIRD PARTY HAS TO BE AUTHORIZED BY AMPHENOL LTW.

THIS DOCUMENT IS SUBJECT TO CHANGE WITHOUT NOTICE. IT IS CONFIDENTIAL AND A PROPERTY OF Amphenol LTW. DISCLOSURE TO THIRD PARTY HAS TO BE AUTHORIZED BY Amphenol LTW.

FLBD-XXECFS-XCP-XXX



SERIAL NO.

KEY POINT ①

PIN CONFIGURATION ②

SIZE(CONNECTOR)

KEY POINT ①

CODE	G	A	B	C	J	F
	0°	30°	45°	60°	37.5°	145°
GRAPHIC						

PIN CONFIGURATION (Solder Definition) ②

GRAPHIC							
	2 PIN	3 PIN	4 PIN	5 PIN	6 PIN	7 PIN	
GRAPHIC							
	8 PIN	10 PIN	12 PIN	14 PIN	16 PIN	18 PIN	19 PIN

UNIT: mm		
TOLERANCE	±0.5mm	

TITLE FLO 2B TWO NUT PANEL CONNECTOR		
SCALE 1:1	SIZE A4	SHEET 2 OF 2
REV. B	WC-REV. A.1	Inspection item

**Amphenol LTW**  
安費諾亮泰企業股份有限公司

ITEM NO.	FLBD-XXECFS-XCP-XXX
DWG NO.	FLBD-XXECFS-XCP-XXX
CUSTOMER	ALTW

DRAWN BY Ouyang	CHECKED BY Jerry
APPROVED BY Fred	

DATE 2019-05-17	DATE 2019-05-17
DATE 2019-05-17	