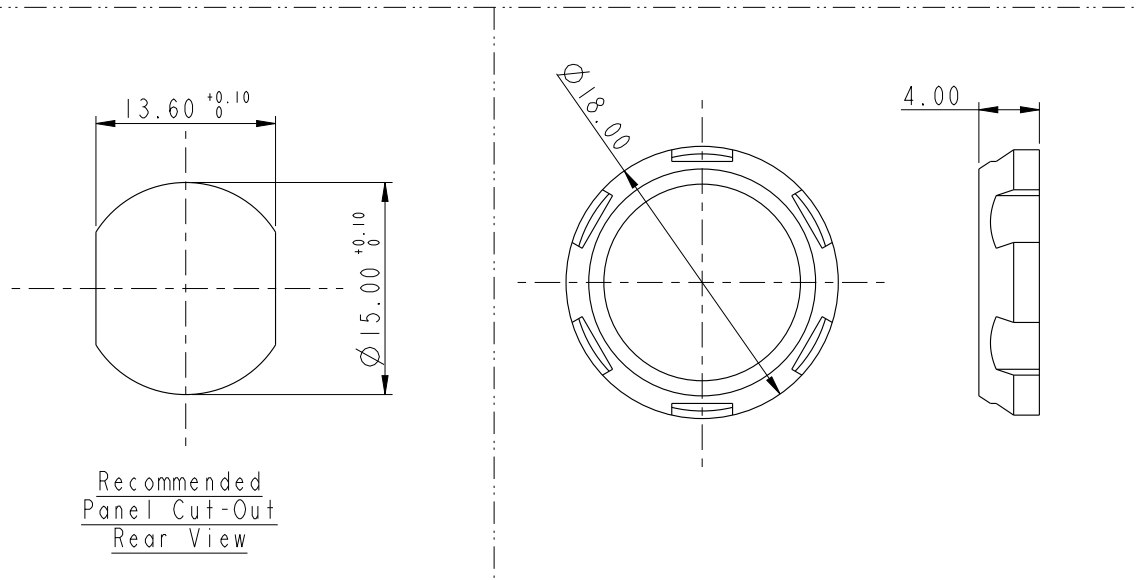
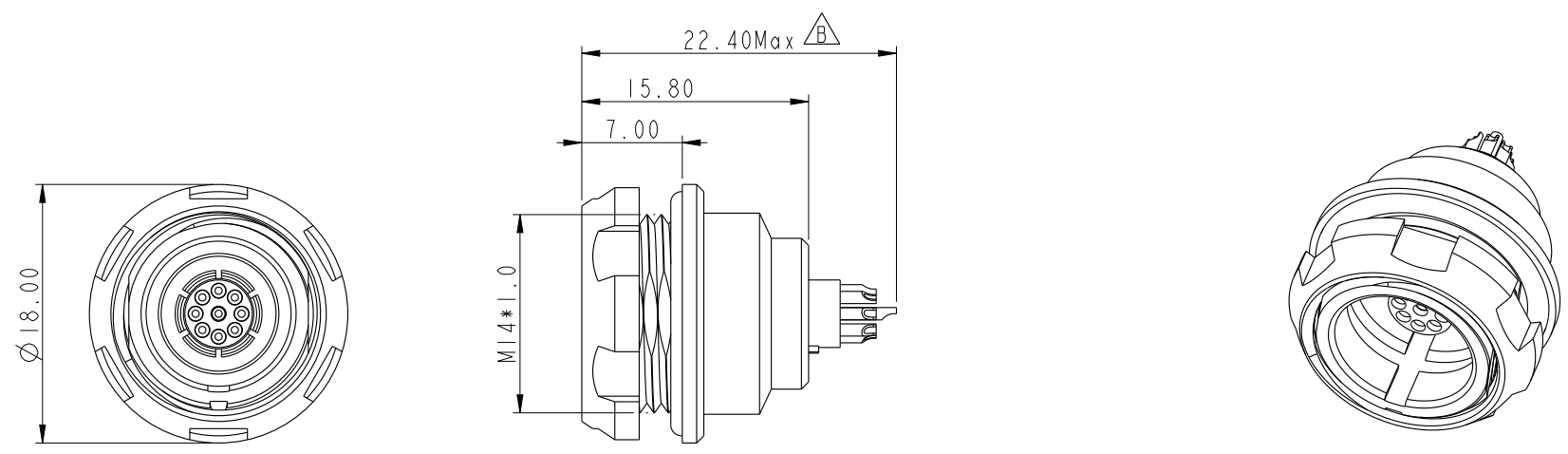


THIS DOCUMENT IS SUBJECT TO CHANGE WITHOUT NOTICE. IT IS CONFIDENTIAL AND A PROPERTY OF Amphenol LTW. DISCLOSURE TO THIRD PARTY HAS TO BE AUTHORIZED BY Amphenol LTW.

REV.	ECN NO.	DATE	SIGN	DESCRIPTION
B	C220669	2022-05-11	Ouyang	△B x2

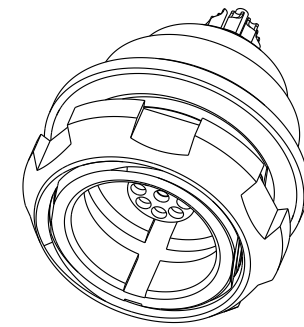
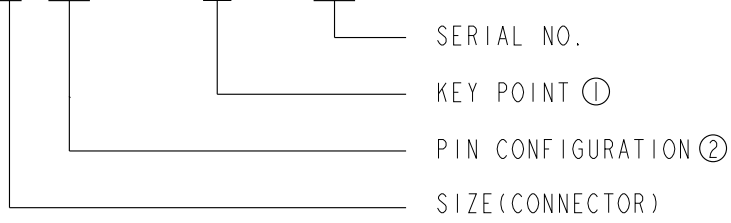


- Note: △B
- \* RoHS Compliant
  - \* Ⓞ Important Dimension
  - \* Waterproof Rate: IPX8, Unmated 1m/24h
  - \* Connector
    - Housing: Thermoplastic, Ecrú
    - Pin: Copper Alloy, Gold Plated
    - internal O-Ring: Rubber, Black.
    - Outer O-Ring: Rubber, Red
  - \* Shield: Metal
  - \* Nut: Metal
  - \* Use without waterproof cap or dust cap
  - Panel thickness max: 2.5mm
  - \* O-Ring and nut are assembled on connectors

UNIT: mm TOLERANCE ±0.5mm	TITLE FLO OK R PANEL CONNECTOR		Amphenol LTW 安費諾亮泰企業股份有限公司		ITEM NO.	DRAWN BY Ouyang	DATE 2019-05-17
	SCALE 1:1	SIZE A4			SHEET 1 OF 2	DWG NO. FLKB-XXEFS-XCP-XXX	CHECKED BY Jerry
	REV. B	WC-REV. A.1	Ⓞ Inspection item		CUSTOMER ALTW	APPROVED BY Fred	DATE 2019-05-17

THIS DOCUMENT IS SUBJECT TO CHANGE WITHOUT NOTICE. IT IS CONFIDENTIAL AND A PROPERTY OF Amphenol LTW. DISCLOSURE TO THIRD PARTY HAS TO BE AUTHORIZED BY Amphenol LTW.

FLKB-XXEFS-XCP-XXX



KEY POINT

CODE ①	G	A	B	C	D
	0°	30°	45°	60°	95°
GRAPHIC					

PIN CONFIGURATION (Solder Definition) ②

GRAPHIC							
	2 PIN	3 PIN	4 PIN	5 PIN	6 PIN	7 PIN	9 PIN

UNIT: mm		
TOLERANCE	±0.5mm	

TITLE FLO OK R PANEL CONNECTOR		
SCALE 1:1	SIZE A4	SHEET 2 OF 2
REV. B	WC-REV. A.1	QC: Inspection item

**Amphenol LTW**  
安費諾亮泰企業股份有限公司

ITEM NO	DWG NO	CUSTOMER
	FLKB-XXEFS-XCP-XXX	ALTW

DRAWN BY	CHECKED BY	APPROVED BY
Ouyang	Jerry	Fred

DATE	DATE	DATE
2019-05-17	2019-05-17	2019-05-17