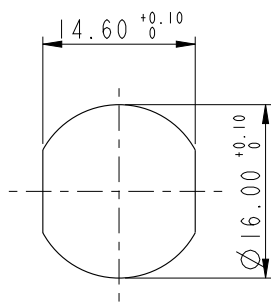
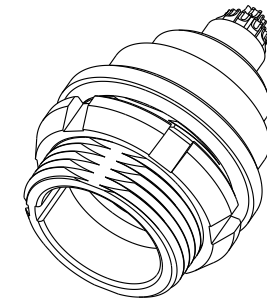
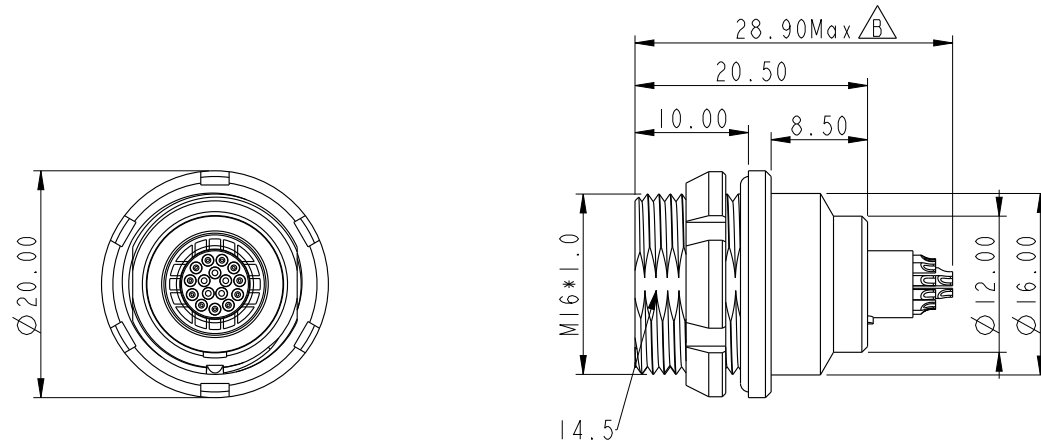
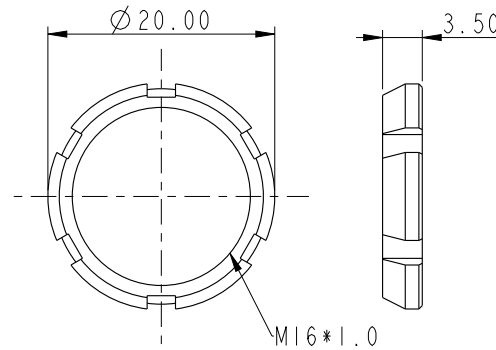


REV.	ECN NO.	DATE	SIGN	DESCRIPTION
B	C220669	2022-05-11	Ouyang	$\triangle B$ x2



Recommended
Panel Cut-Out
Rear View



NUT

- Note: $\triangle B$
- * RoHS Compliant
 - * \odot Important Dimension
 - * Waterproof Rate: IPX8, Unmated 1m/24h
 - * Connector
 - Housing: Thermoplastic, Ecru
 - Pin: Copper Alloy, Gold Plated
 - Internal O-Ring: Rubber, Black.
 - Outer O-Ring: Rubber, Red
 - * Shield: Metal
 - * Nut: Metal
 - * Use without waterproof cap or dust cap
 - Panel thickness max: 6.0mm
 - * O-Ring and nut are assembled on connectors

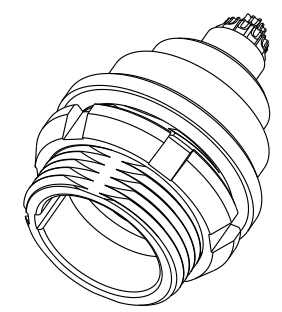
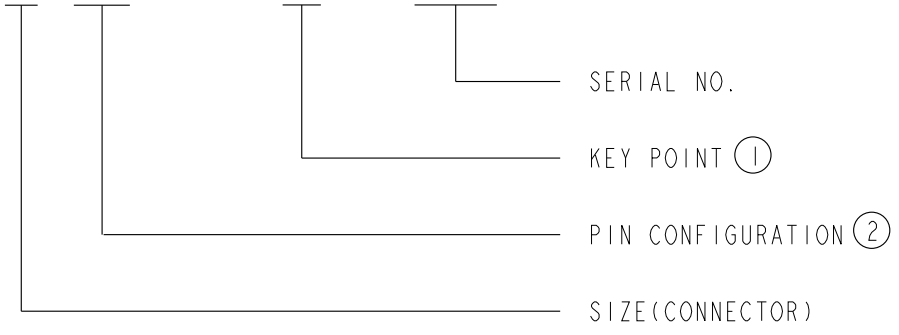
UNIT: mm TOLERANCE ± 0.5 mm	TITLE FLO IK R PANEL CONNECTOR			ITEM NO.		DRAWN BY Ouyang		DATE 2019-05-17	
	SCALE 1:1			SIZE A4		SHEET 1 OF 2		DWG NO. FLKC-XXEFS-XCP-XXX	
	REV. B			WC-REV. A.1		\odot : Inspection item		CHECKED BY Jerry	
				Amphenol LTW 安費諾亮泰企業股份有限公司		CUSTOMER ALTW		APPROVED BY Fred	
								DATE 2019-05-17	

THIS DOCUMENT IS SUBJECT TO CHANGE WITHOUT NOTICE. IT IS CONFIDENTIAL AND A PROPERTY OF Amphenol LTW. DISCLOSURE TO THIRD PARTY HAS TO BE AUTHORIZED BY Amphenol LTW.

THIS DOCUMENT IS SUBJECT TO CHANGE WITHOUT NOTICE. IT IS CONFIDENTIAL AND A PROPERTY OF Amphenol LTW. DISCLOSURE TO THIRD PARTY HAS TO BE AUTHORIZED BY Amphenol LTW.

REV.	DESCRIPTION

FLKC-XXEFS-XCP-XXX



KEY POINT ①

CODE	G	A	B	C	D
GRAPHIC	0°	30°	45°	60°	95°

PIN CONFIGURATION (Solder Definition) ②

GRAPHIC										
	2 PIN	3 PIN	4 PIN	5 PIN	6 PIN	7 PIN	8 PIN	10 PIN	14 PIN	16 PIN

UNIT: mm		
TOLERANCE	±0.5mm	

TITLE FLO IK R PANEL CONNECTOR		
SCALE 1:1	SIZE A4	SHEET 2 OF 2
REV. B	WC-REV. A.1	: Inspection item

Amphenol LTW
安費諾亮泰企業股份有限公司

ITEM NO	DWG NO	CUSTOMER
	FLKC-XXEFS-XCP-XXX	ALTW

DRAWN BY Ouyang	CHECKED BY Jerry	APPROVED BY Fred
--------------------	---------------------	---------------------

DATE 2019-05-17	DATE 2019-05-17	DATE 2019-05-17
--------------------	--------------------	--------------------