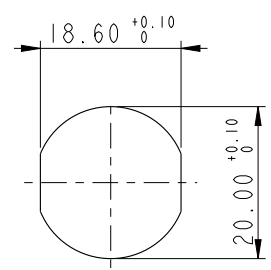
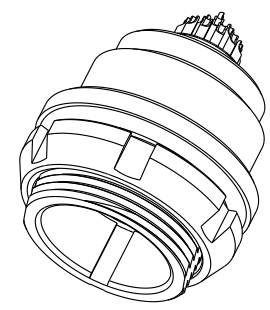
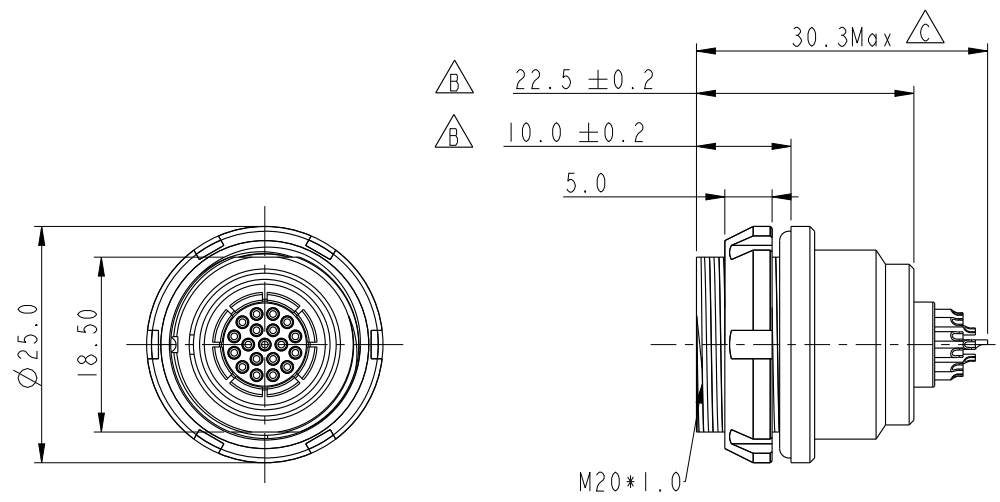
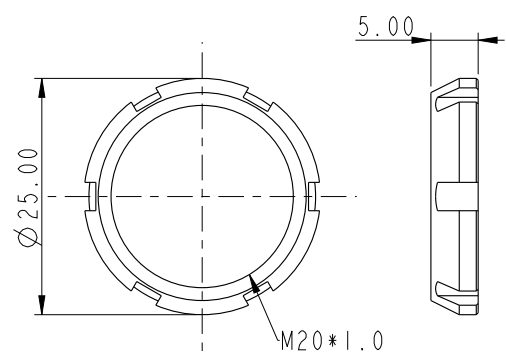


THIS DOCUMENT IS SUBJECT TO CHANGE WITHOUT NOTICE. IT IS CONFIDENTIAL AND A PROPERTY OF Amphenol LTW. DISCLOSURE TO THIRD PARTY HAS TO BE AUTHORIZED BY Amphenol LTW.

REV.	ECN NO.	DATE	SIGN	DESCRIPTION
B	C201591	2020-10-15	Ouyang	$\triangle B$ x2
C	C220669	2022-05-11	Ouyang	$\triangle C$ x2



Recommended
Panel Cut-Out
Rear View



- Note: $\triangle C$
- * RoHS Compliant
 - * CC Important Dimension
 - * Waterproof Rate: IPX8, Unmated 1m/24h
 - * Connector
 - Housing: Thermoplastic, Ecrú
 - Pin: Copper Alloy, Gold Plated
 - internal O-Ring: Rubber, Red.
 - Outer O-Ring: Rubber, Black.
 - * Shield: Metal
 - * Nut: Metal
 - * Use without waterproof cap or dust cap
 - Panel thickness max: 4.0mm
 - * O-Ring and nut are assembled on connectors

UNIT: mm		
TOLERANCE	$\pm 0.5\text{mm}$	

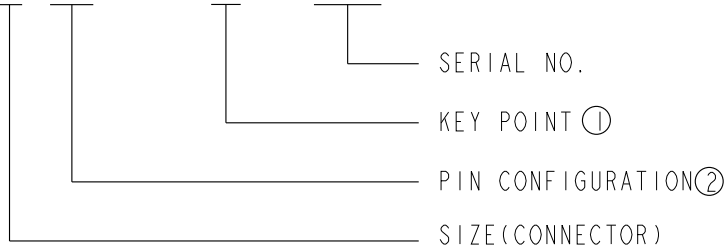
TITLE			
SCALE	SIZE	SHEET	OF
1:1	A4	1	2
REV.	WC-REV.	CC : Inspection item	
C	.0		

Amphenol LTW
安費諾亮泰企業股份有限公司

ITEM NO.	DRAWN BY	DATE
	Ouyang	2019-05-17
DWG NO.	CHECKED BY	DATE
FLKD-XXEFS-XCP-XXX	Jerry	2019-05-17
CUSTOMER	APPROVED BY	DATE
ALTW	Fred	2019-05-17

THIS DOCUMENT IS SUBJECT TO CHANGE WITHOUT NOTICE. IT IS CONFIDENTIAL AND A PROPERTY OF Amphenol LTW. DISCLOSURE TO THIRD PARTY HAS TO BE AUTHORIZED BY Amphenol LTW.

FLKD-XXEFS-XCP-XXX



KEY POINT						
CODE ①	G	A	B	C	D	
GRAPHIC	0° 	30° 	45° 	60° 	95° 	
PIN CONFIGURATION (Solder Definition) ②						
GRAPHIC	2 PIN 	3 PIN 	4 PIN 	5 PIN 	6 PIN 	7 PIN
	8 PIN 	10 PIN 	12 PIN 	14 PIN 	16 PIN 	18 PIN
						19 PIN

UNIT: mm TOLERANCE ±0.5mm	TITLE FLO 2K R PANEL CONNECTOR		<h1>Amphenol LTW</h1> <p>安費諾亮泰企業股份有限公司</p>		ITEM NO.	DRAWN BY Ouyang	DATE 2019-05-17
	SCALE 1:1	SIZE A4			SHEET 2 OF 2	DWG NO. FLKD-XXEFS-XCP-XXX	CHECKED BY Jerry
	REV. C	WC-REV. A.1	QC: Inspection item		CUSTOMER ALTW	APPROVED BY Fred	DATE 2019-05-17