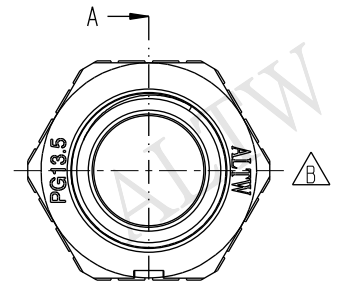
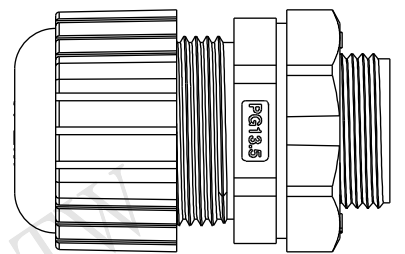
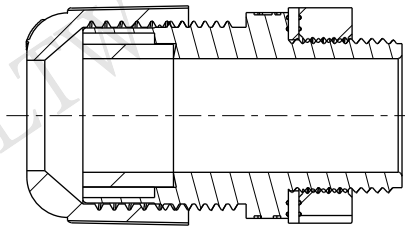
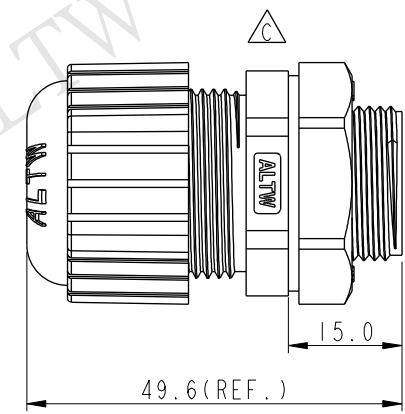
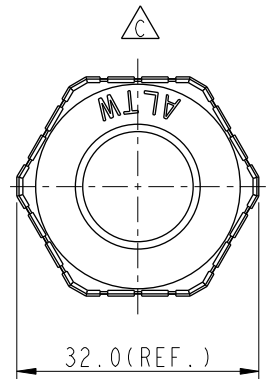
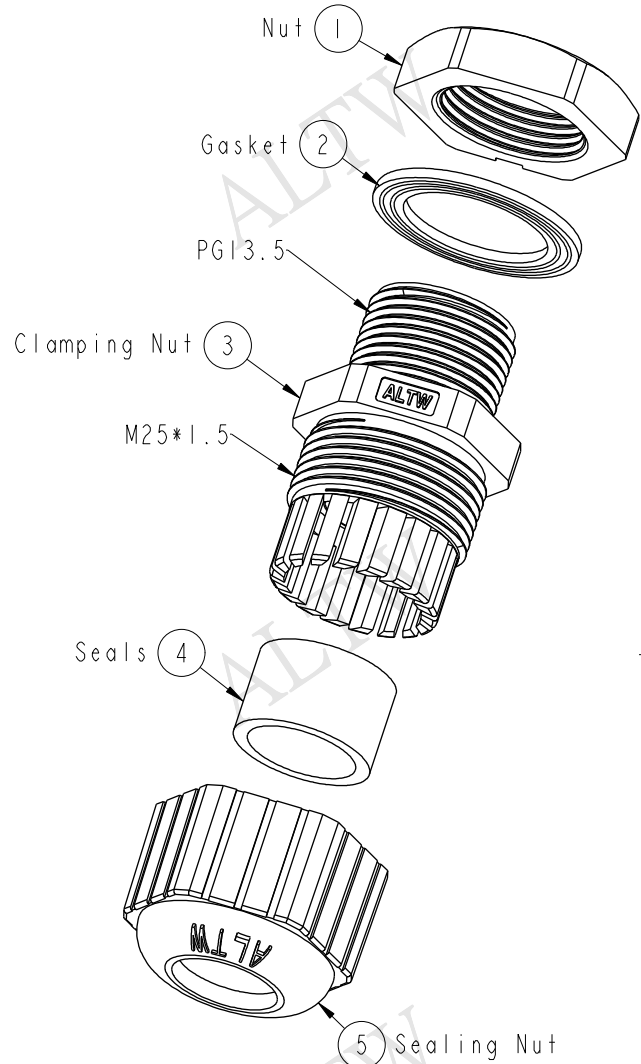
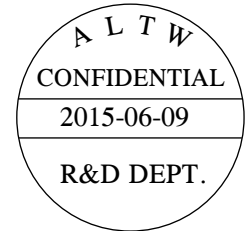


REV.	ECN NO.	DATE	SIGN	DESCRIPTION
B	LEN14C0289	2014/12/03	Ruru	Change Nut Logo
C	LEN1560090	2015/05/11	Ruru	Change Logo



- Note:
- * Waterproof Rate: IP68
 - * Screw Nut: Nylon, Gray
 - * Clamp Ring: Nylon, Gray
 - * Sealing Nut: Nylon, Gray
 - * Gasket: EPDM, Black
 - * Seals: EPDM, Black
 - * Cable Range: $\varnothing 10.0 - \varnothing 14.0$ mm
 - * For Panel Thickness: 6.2mm max
 - * Spanner Size:
 - Body: 27.2mm
 - Sealing Nut: 29.0mm
 - Screw Nut: 28.5mm



UNIT: mm		
TOLERANCE	.X	± 0.25
	.XX	± 0.1
	.XXX	± 0.05
ANGLES		$\pm 1^\circ$

TITLE PG13.5 Cable Glands			
SCALE 1:1	SIZE A4	SHEET 1 OF 1	
REV. C	WC-REV. A.1	QC: Inspection item	

Amphenol LTW
安費諾亮泰企業股份有限公司

ITEM NO. CSG-13G002	DRAWN BY Ruru	DATE 2015-05-11
DWG NO. CSG-13G002	CHECKED BY Rita	DATE 2015-05-11
CUSTOMER ALTW	APPROVED BY Lion	DATE 2015-05-11

THIS DOCUMENT IS SUBJECT TO CHANGE WITHOUT NOTICE. IT IS CONFIDENTIAL AND A PROPERTY OF Amphenol LTW. DISCLOSURE TO THIRD PARTY HAS TO BE AUTHORIZED BY Amphenol LTW.