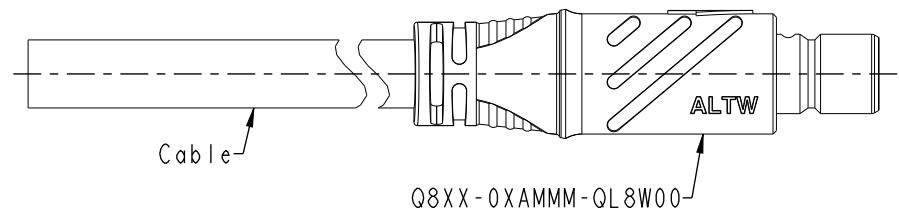
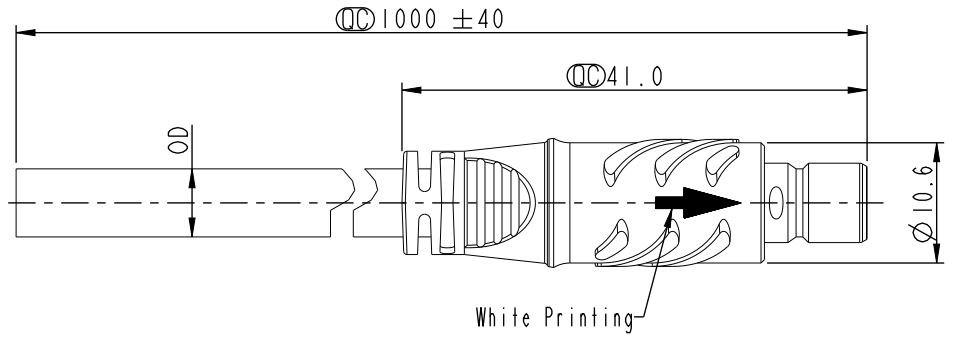


THIS DOCUMENT IS SUBJECT TO CHANGE WITHOUT NOTICE. IT IS CONFIDENTIAL AND A PROPERTY OF AMPHENOL LTW. DISCLOSURE TO THIRD PARTY HAS TO BE AUTHORIZED BY AMPHENOL LTW.

REV.	ECN NO.	DATE	SIGN	DESCRIPTION
A	Initial Release	2016/06/30	Aric Ko	Rev. A
B	LEN1680169	2016/07/28	Aric Ko	Modify Drawing.
C	C241008	2024/08/28	Hubert	$\triangle C$ XI



Material Specification:

- * Connector: Thermoplastic
- * Contacts: Copper Alloy, Gold Plated.
- * UL Rated: UL 94V-0, fl
- * Cable: UL Style, 24AWG(2A), 20AWG(5A), Sun Res., PVC Jacket, Black.
- * RoHS Compliant

Electrical Specification:

- * Contact Resistance: 10m Ω Max. (Without Cable)
- * Insulation Resistance: 100M Ω Min.
- * Dielectric Withstand Voltage: 1,000V Plus 2 Times the Rated Voltage.

Mechanical Specification:

- * Durability: 2,000 Cycles
- * Tensile Strength: 10 kgf

Environmental Specification:

- * Waterproof Rating: IP68(Mated, 1M/24 Hours)
- * Temperature Range: -40°C to 105°C
- * Salt Spray: Mated, 1000 Hours.
- * Safety Compliance: UL 2238(Outdoor Use, UL 50e)

Cable Length Tolerance:

- 01M: ±40mm
- 02M~06M: ±60mm
- 06M~10M: ±100mm
- 11M~30M: ±200mm
- 31M~99M: ±500mm

UNIT:mm			TITLE SIZE 8, OVERMOLDED WITH CABLE HS-LOK, M CONN M PIN
TOLERANCE ±0.5 mm	SCALE 3:2	SIZE A4	SHEET 1 OF 2
REV. C	WC-REV. A.8	QC: Inspection item	

Amphenol LTW
安費諾亮泰企業股份有限公司

ITEM NO	DRAWN BY Hubert	DATE 2024/08/28
DWG NO Q8XX-0XAMMM-QL8AXX	CHECKED BY Aric	DATE 2024/08/28
CUSTOMER ALTW	APPROVED BY Fred	DATE 2024/08/28

THIS DOCUMENT IS SUBJECT TO CHANGE WITHOUT NOTICE. IT IS CONFIDENTIAL AND A PROPERTY OF Amphenol LTW. DISCLOSURE TO THIRD PARTY HAS TO BE AUTHORIZED BY Amphenol LTW.

1 2 3 4 5 6 7 8

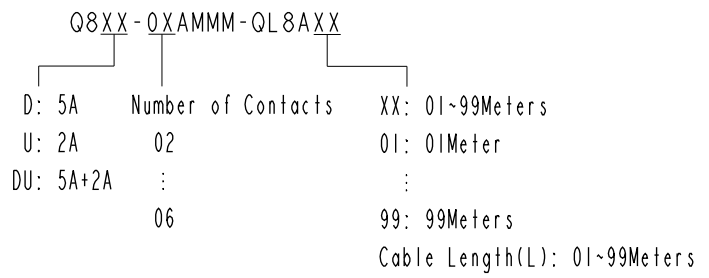
F
E
D
C
B
A



	5A, 300Vac/Vdc 2 Contacts(02) Cable OD 5.2mm; Wire Color Identification: 1.White, 2.Black
	5A, 300Vac/Vdc 3 Contacts(03) Cable OD 5.5mm; Wire Color Identification: 1.White, 2.Black, 3.Green
	5A, 300Vac/Vdc 4 Contacts(04) Cable OD 6.0mm; Wire Color Identification: 1.White, 2.Black, 3.Red, 4.Blue
	2A, 100Vdc 5 Contacts(05) Cable OD 5.5mm; Wire Color Identification: 1.White, 2.Black, 3.Red, 4.Blue, 5.Green
	2A, 100Vdc 6 Contacts(06) Cable OD 5.8mm; Wire Color Identification: 1.White, 2.Black, 3.Red, 4.Blue, 5.Green, 6.Brown
	5A, 300Vac + 2A, 100Vdc 2+3 Contacts(05) Cable OD 6.0mm; Wire Color Identification: 1.White, 2.Black, 3.Red, 4.Blue, 5.Green

Pin Assignments, Front View

Ordering Information:



Mating Connector:

Overmolded with Cable: Q8XX-0XAFFM-QL8AXX

UNIT:mm		TITLE	SIZE 8, OVERMOLDED WITH CABLE HS-LOK, M CONN M PIN
TOLERANCE	±0.5 mm	SCALE	3:2
		SIZE	A4
		SHEET	2 OF 2
		REV.	C
		WC-REV.	A.8
		QC	Inspection item

Amphenol LTW
安費諾亮泰企業股份有限公司

ITEM NO	DRAWN BY	DATE
	Hubert	2024/08/28
DWG NO	CHECKED BY	DATE
Q8XX-0XAMMM-QL8AXX	Aric	2024/08/28
CUSTOMER	APPROVED BY	DATE
ALTW	Fred	2024/08/28

1 2 3 4 5 6 7 8 W10814-03-0001A2