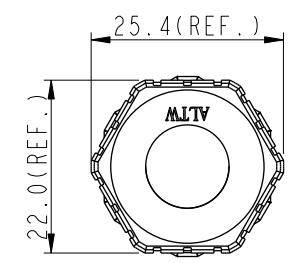
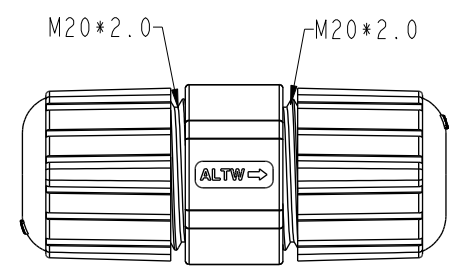
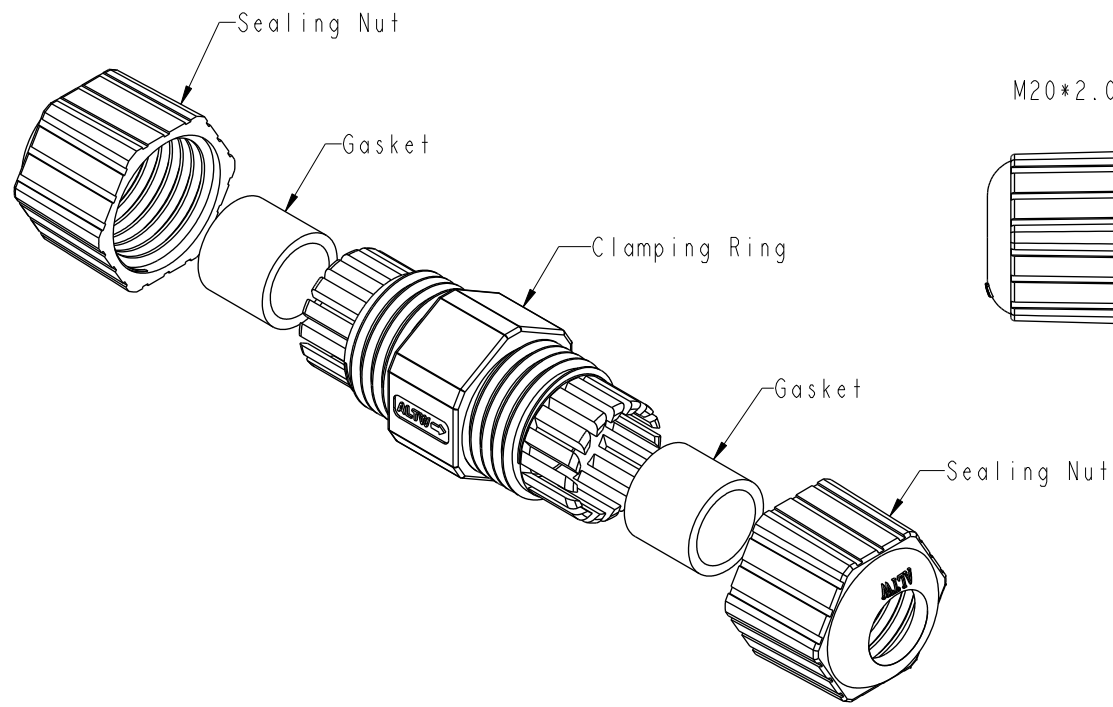
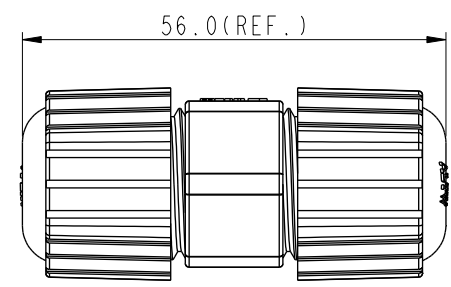
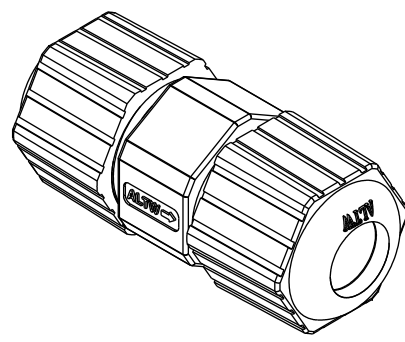


THIS DOCUMENT IS SUBJECT TO CHANGE WITHOUT NOTICE. IT IS CONFIDENTIAL AND A PROPERTY OF Amphenol LTW. DISCLOSURE TO THIRD PARTY HAS TO BE AUTHORIZED BY Amphenol LTW.

REV.	ECN NO.	DATE	SIGN	DESCRIPTION
A	Initial Released	2020/11/24	Ruru	Old Item No. CX-00B0M20-7001



- Note:
- * Waterproof Rate: IP67, Mated
 - * Sealing Nut: Thermoplastic, Black
 - * Gasket: Rubber, Black
 - * Center Housing: Thermoplastic, Black
 - * Clamping Ring: Thermoplastic, Black
 - * Cable Range: $\varnothing 6 \sim \varnothing 10 \text{mm}$
 - * One Set non-Assembly in One PE Bag

UNIT:mm TOLERANCE $\pm 0.5 \text{ mm}$	TITLE FICX, NONE, 1, Field Installable None, Black		Amphenol LTW 安費諾亮泰企業股份有限公司		ITEM NO FC-001BNBK-7001	DRAWN BY Ruru	DATE 2020-11-24
	SCALE 1:2	SIZE A4			SHEET 1	OF 1	DWG NO FC-001BNBK-7001
	REV. A	WC-REV. A.3	QC: Inspection item		CUSTOMER ALTW	APPROVED BY Max	DATE 2020-11-24