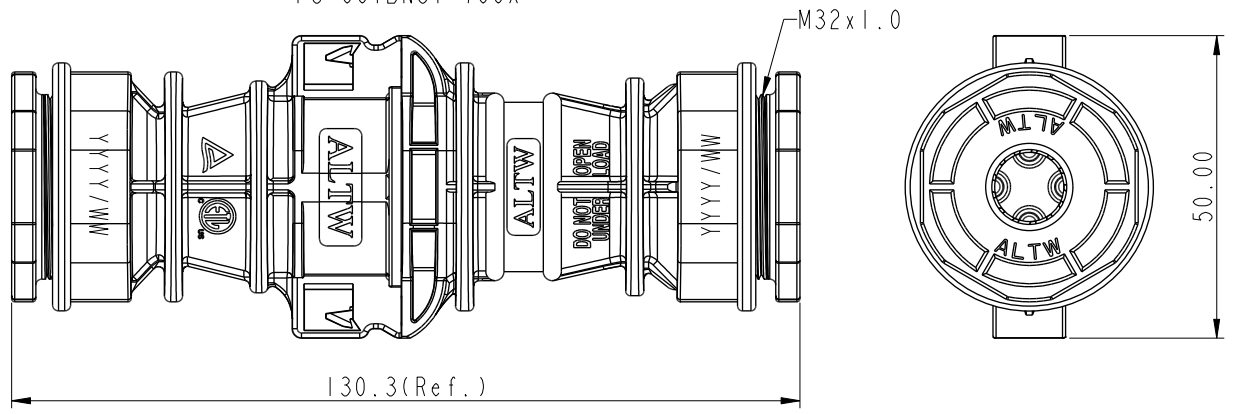
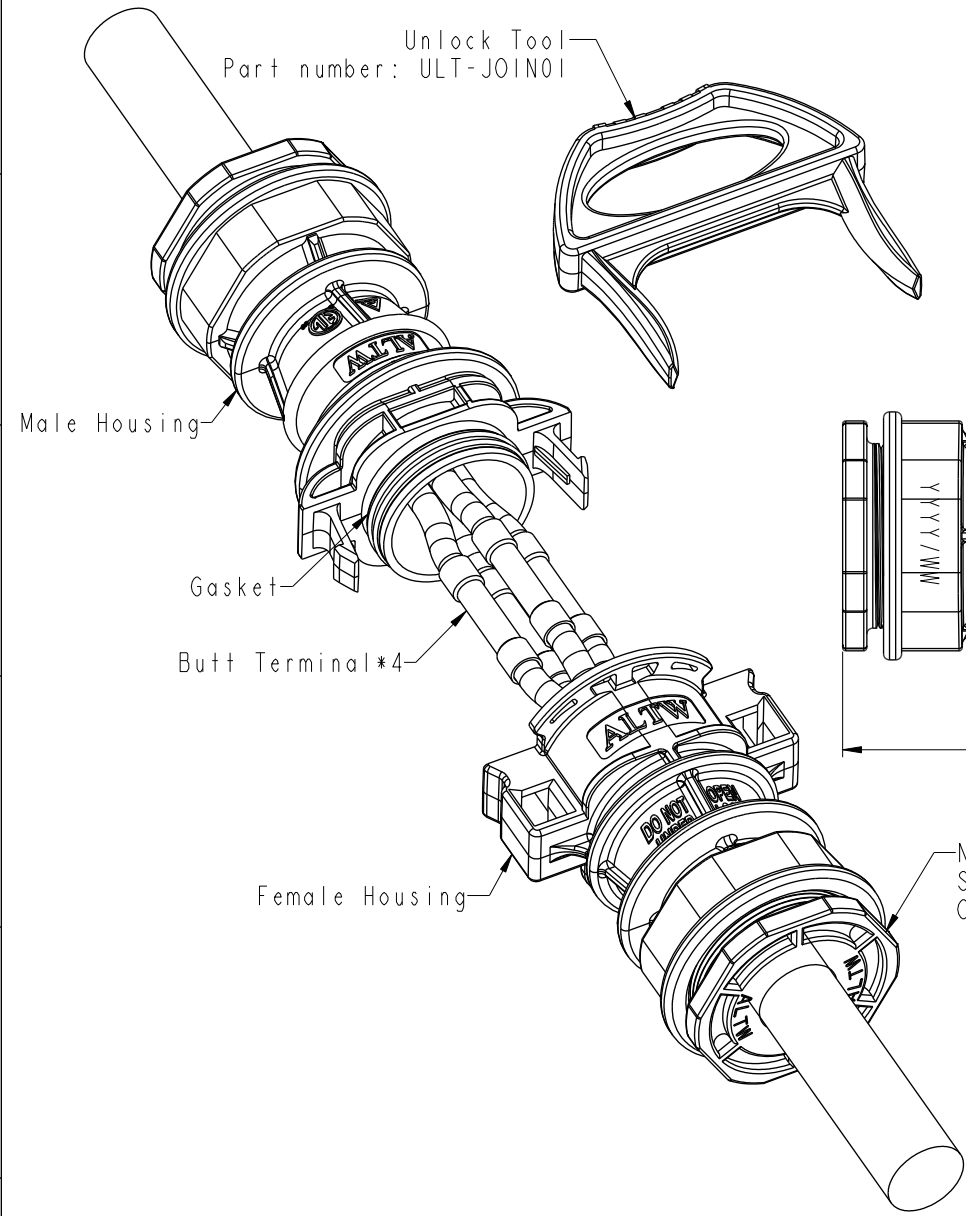


THIS DOCUMENT IS SUBJECT TO CHANGE WITHOUT NOTICE. IT IS CONFIDENTIAL AND A PROPERTY OF Amphenol LTW. DISCLOSURE TO THIRD PARTY HAS TO BE AUTHORIZED BY Amphenol LTW.

REV.	ECN NO.	DATE	SIGN	DESCRIPTION
A	Initial Released	2020/11/25	Ruru	Old Item No. CX-04BBM32-7001

☉ Laser Mark:
 YYYY = Year
 WW = Week

Cable Joiner Housing Part Number
 FC-001BNGY-700X



Nut*2
 Seal*2
 Clamp ring*2

* FC-001BNGY-700X
 UL 6703A & TUV 2pfg 1915
 * Butt Terminals
 UL 486A/B

Note:
 * Waterproof Rate: IP67, Mated
 * Connector: Thermoplastic, Black
 * Butt Pin: Copper alloy
 * Gasket: Rubber, Gray
 * Disassembly-Using the Unlock tool.
 * Operating Temperature : -40~+105°C
 * Withstanding Voltage : 6KV
 * Pollution Degree : III
 * Cable OD Range: 10mm~08mm
 * Wire Range: 14#~16#(2.5mm²~1mm²)
 * Avoid oil and gasoline
 * Recommended sealing Nut torque
 Minimum: 25Kgf-cm

UNIT:mm			TITLE	FICX, 4, 1, Field Installable Crimp, Gray			
TOLERANCE	± 0.5 mm		SCALE	4:5	SIZE	A4	
REV.	A	WC-REV.	B.4	SHEET	1	OF	1
			☉: Inspection item				

Amphenol LTW
 安費諾亮泰企業股份有限公司

ITEM NO.	FC-041BCGY-7003	DRAWN BY	Ruru	DATE	2020-11-25
DWG NO.	FC-041BCGY-7003	CHECKED BY	Rita	DATE	2020-11-25
CUSTOMER	ALTW	APPROVED BY	Max	DATE	2020-11-25